



V A L C A N

The Defining Standard

INTERLOCKING PLANK SYSTEM CLADDING

Valcan Xtral[®]



Non-Combustible

bsi.identify

Registered manufacturer 2023/24



xtral[®]

Plank Systems





OUR VISION

To lead the industry as an innovative and proactive organisation, consistently delivering non-combustible façade solutions, renowned for excellence of product, product support and superior customer service – the defining standard.



OUR MISSION

To be the market leader in non-combustible façades for high-rise buildings, through design and supply of A1 and A2 rated rainscreen cladding systems, that are easy to buy and fast to install.



OUR VALUES

Our commitment to respect, loyalty, honesty, innovation, responsiveness, and teamwork means that we deliver exceptional products/services that exceed customer expectations, build strong and lasting relationships with our customers and partners, and continuously strive to improve and innovate to better serve our customers' evolving needs.

CONTENTS

About Xtral®	5
Benefits of Xtral®	7
Key Features	8
Panel Information	9
Finishes & Colours	10-11
Installation / Installation Support	12
Application / Warranty	13
Sustainability	14-15
Typical Drawing Examples	16-17
Disclaimer	18-19

All information (including any drawings, designs or specified materials) set out in this document is provided for guidance only. We do not accept any liability for it and do not warrant or take responsibility for its accuracy.

The document does not take into account the requirements of your project and should not be relied upon. All information contained in it should be verified and approved by a qualified professional to ensure it meets your requirements and the requirements of your project.

The information and prices contained here are believed to be correct at time of publishing. Valcan reserves the right to revise the contents of this document at any time.

Images are for illustrative purposes only.



ABOUT XTRAL®

Offering a range of inspiring interlocking boards in the marketplace, utilising Xtral® on your next project will deliver design flexibility. Xtral® can be installed either horizontally or vertically when specified for a truly modern and versatile exterior cladding option.

Using only premium raw materials and finish options – Xtral® achieves an unprecedented level of quality, reliability, and longevity. Available in 3 options, it can be supplied mill finish or anodised and achieves non-combustibility under the European Directive or in A2 rated painted options. Xtral's® interlocking aluminium panels are designed to be installed in a ventilated

rainscreen system in order to create the free circulation of air behind the panels using our Vitrafix carrier system. Available in an unlimited range of colours and contemporary finish options as well as the availability of both standard and custom sizes; the Xtral® range delivers limitless aesthetic options for use in applications of any scale or in any environment.

The express installation system reduces time and cost efficiencies, along with its 15-year warranty, national delivery, support and technical expertise; Xtral® is the ideal premium cladding solution for construction and architectural design professionals.





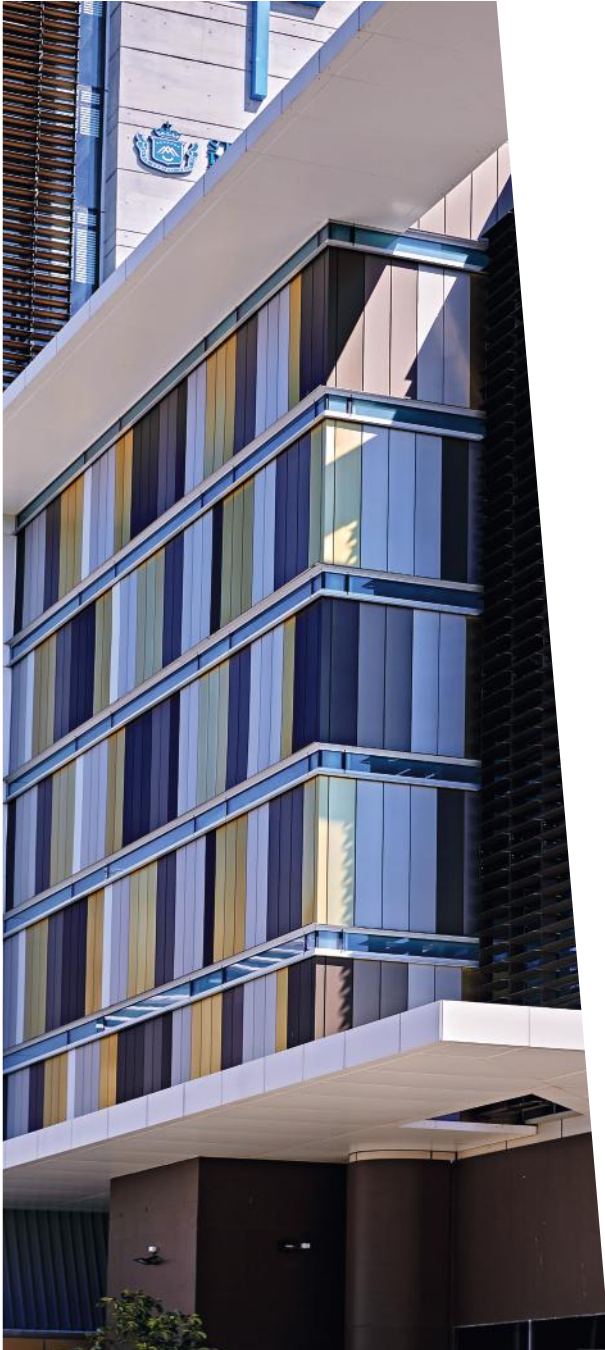
BENEFITS OF XTRAL®

Xtral® extruded aluminium planks offer exceptional design flexibility. Not only are these planks aesthetically pleasing but they are also sustainable, as they are 100% recyclable. In addition, their non-combustible nature provides a high level of fire resistance, making them a

safe choice for various projects. The extrusion process used to manufacture these planks ensures high quality and durability, making them a long-lasting solution for architectural design.

OUR EXTRUDED ALUMINIUM PLANKS PROVIDE EXCEPTIONAL DESIGN FLEXIBILITY AND ARE ECO-FRIENDLY

- ▲ **LIMITLESS COLOUR PALETTE** Whether you prefer the natural look of anodised colours or the limitless choices of wet spray fluoropolymer base paint or polyester powder-coated options, Xtral® ensures your architectural vision is realised.
- ▲ **ORIENTATION FLEXIBILITY** Profiles can be installed in either a horizontal or vertical orientation, providing a modern and versatile cladding option.
- ▲ **100% RECYCLABLE** Made of extruded aluminium, Xtral® planks are not only durable but also eco-friendly, aligning with sustainable construction practices.
- ▲ **DURABLE MATERIAL** Ensuring longevity and performance.
- ▲ **INNOVATIVE DESIGN** Designed by a team of dedicated engineers and commercial façade installation professionals, the Xtral® system employs a simple tab-and-hook mechanism for easy interlocking.
- ▲ **SEAMLESS AESTHETICS** Panels overlap one another, concealing all fixtures for a modern and dynamic look.
- ▲ **COST-EFFECTIVE** Designed to eliminate the need for external sealants, reducing both labour and material costs.
- ▲ **COMPREHENSIVE TRIMS** Incorporates a specially designed selection of trims to meet every architectural detail with an effective and aesthetically-pleasing solution.
- ▲ **CUSTOMISABLE LENGTHS** Standard length of 6000mm with customisable lengths available, ensuring the right fit for every project.



KEY FEATURES

Quality runs through every element of the Xtral® product range - from aesthetics and the rainscreen façade installation system, through to reliability and product longevity.

Committed to sustainability, it is 100% recyclable offering an eco-friendly building solution. All Xtral® profiles are made of solid aluminium moulded to form the interlocking panels.

PRODUCT	XTRAL®
Product DNA	Prefinished solid aluminium panel.
Finish	Powder coated, Anodised, Woodgrain and custom finishes available.
Length	Customisable up to 6000mm.
Weight	6.5kg/m ²
Warranty	Long warranty, subject to standard terms and conditions.
Delivery	<p>Nationwide & European Delivery: We deliver panels across the UK and Europe. Rest assured, all panels are securely wrapped and placed on high-quality pallets. They are transported via our dedicated fleet to guarantee their safe arrival at your location.</p> <p>Customer-Arranged Pickup: If you'd rather arrange transportation. Just give us a heads-up at least 48 hours prior to collection to ensure your order is ready.</p>



PANEL INFORMATION

The typical composition of Xtral® incorporates two elements – extruded solid aluminium and applied finish. In comparison to cassette style ACPs, this interlocking façade system requires minimal fabrication, resulting in lower installation costs and increased efficiency.

Offered in five different profiles, each providing a distinct aesthetic appearance, the Xtral® range is available in various lengths, custom profiles and widths where required.

The profiles are supplied in up to 6m lengths as standard and are designed to be installed as a ventilated rain screen fixed to our Vitrafix® VF1 or VF2 framing system and can be installed in either a horizontal or vertical orientation to give a modern and versatile cladding option.

FINISHES & COLOURS

Xtral® planks are available in mill finished or anodised colours giving non-combustibility against the European Directive or can be supplied in pre-finished painted A2 fire rated options.

Anodising is an electrochemical process of highly controlled oxidation of the aluminium product. This process transforms the surface into a highly durable,

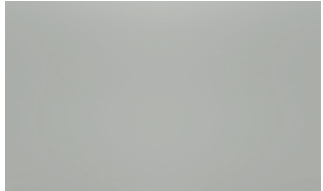
corrosion resistant finish that maintains a natural yet highly variable look.

Pre-finished options available consist of either a wet spray fluoropolymer base paint or polyester powder coated options to give a limitless colour choice to ensure your architectural flair and design intent are met.



LIMITLESS COLOUR CHOICE
[Contact us](#) for more information

C001



C002



C3101



C3201



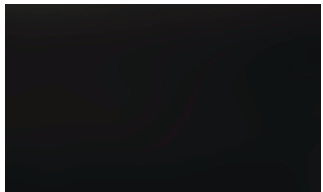
C3202



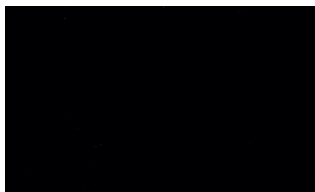
C3302



C3501



C3502



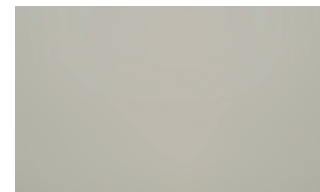
C4101



C4102



C4201



C4202



POWDER COATED (A2)

Powder coating is a process by which electrically charged paint particles are sprayed onto Xtral's® aluminium surface. The aluminium is then cured through baking in a specialised oven to produce a highly durable, flat, powder coated finish.

Xtral's® powder coat range utilises the Interpon Commercial Collection, with the full range of Dulux finishes also available. Can't find a colour that suits? Custom finishes are also available for any landmark or special project. Consequently, Xtral's® customers have access to an almost limitless choice of powder coated finish options, capable of suiting any architectural application and environment.

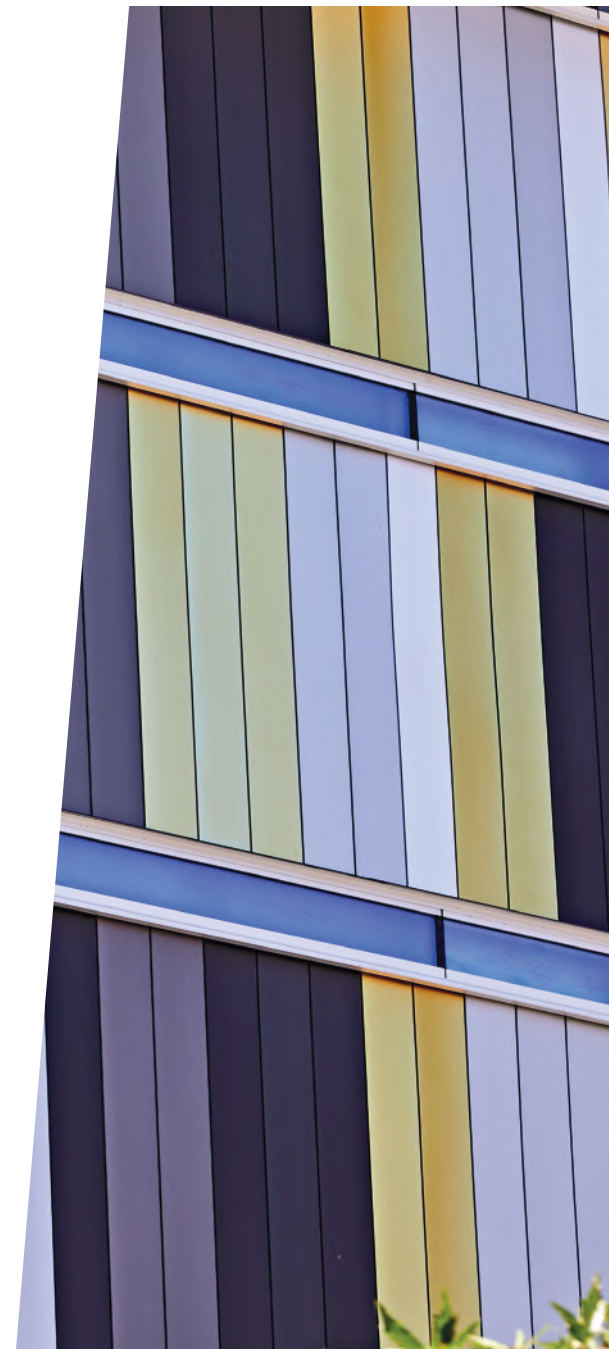
ANODISING (A1)

Anodising is an electrochemical process of highly controlled oxidation of the aluminium product. This process transforms the surface into a highly durable, corrosion resistant finish that maintains a natural yet highly variable look.

Xtral® anodised finishes are available in a wide variety of clear, bronze and coloured finishes. Custom colours are also available for landmark projects. This unlimited versatility provides Xtral® customers with an abundance of options to suit any appearance or application requirement while retaining the unparalleled environmental resistance of anodised products.

WOODGRAIN (A2)

Xtral® utilises a new woodgrain technology recently introduced into Australia from Europe. This technology allows for textured woodgrains with a raised grain and much greater durability than traditional methods. This process is achieved through a powder coat process and has the same durability as our powder coat finishes. Xtral® woodgrains are available in a multitude of finishes and textures, with custom woodgrains available for landmark or special projects.





INSTALLATION

Xtral® aluminium façade panels have been designed by a team of dedicated engineers and commercial façade installation professionals.

Applying the rainscreen principle, the Xtral® system is installed over a weatherproof substructure with air flow, drainage, and ventilation occurring beneath the façade.

Xtral's® panels employ a simple tab-and-hook mechanism that allows each panel to interlock with pre-loaded strength. Xtral® panels then overlap one another,

INSTALLATION SUPPORT

We understand the importance of site visits and quality assurance. If needed, we are happy to arrange a site visit to provide on-site guidance and ensure that the installation is progressing smoothly.

Alternatively, we are more than willing to review photographs of the installation to offer remote assistance and double-check any crucial details. Our aim is to make the installation process as

concealing all fixtures and implementing a more modern and dynamic aesthetic.

The Xtral® system has been designed to eliminate the need for external sealants, making installation faster while reducing labour and material costs.

The Xtral® system also incorporates a specially-designed selection of trims, allowing every architectural detail to be met with an effective and aesthetically-pleasing solution.

straightforward as possible. With our support, training, technical assistance, and comprehensive resources, you can trust that our cladding systems are designed for ease of installation.

We are dedicated to your success, and we go the extra mile to ensure your project is completed to the highest standards.

APPLICATION

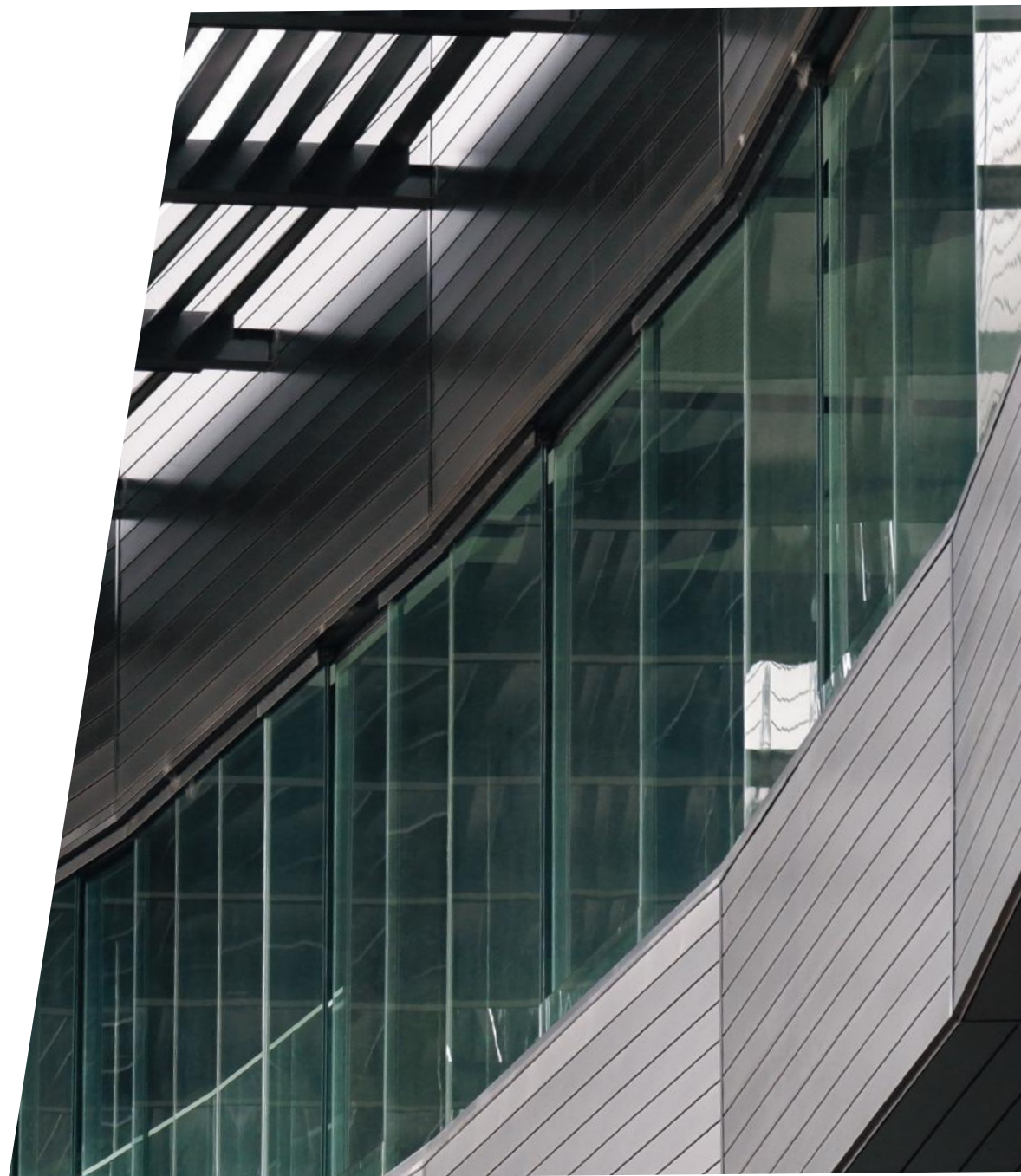
Xtral® is suitable for application on all construction types including hospitals, mixed-use developments and residential projects.

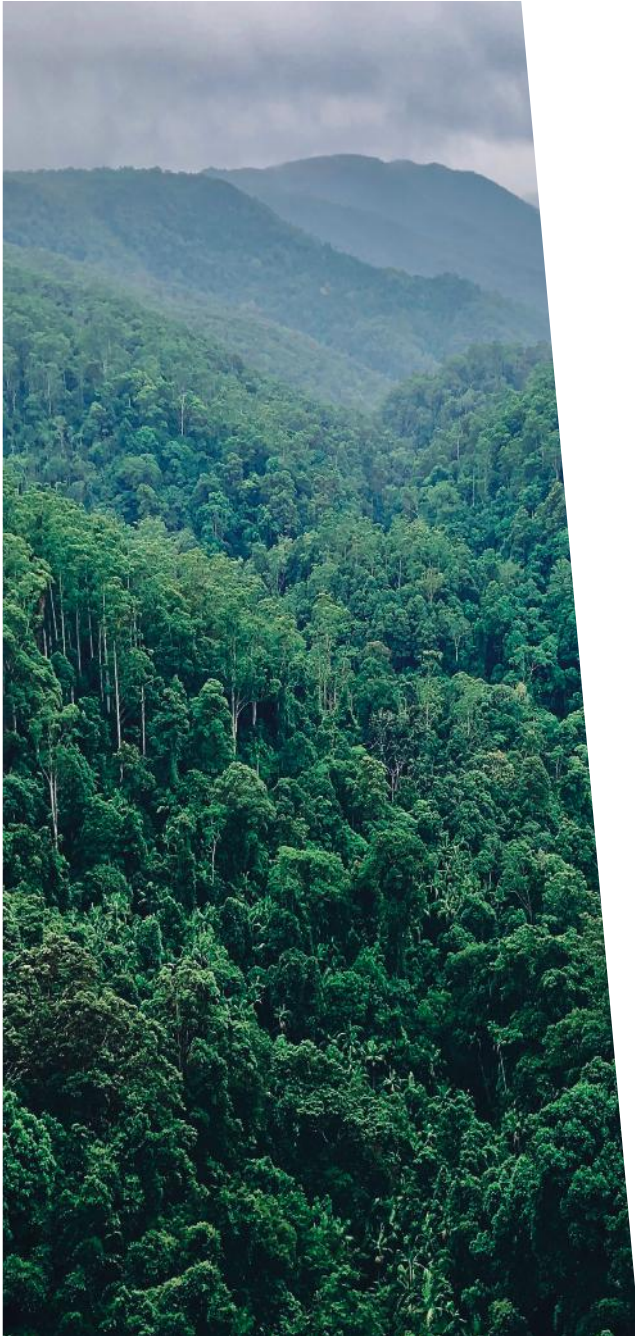
Longevity of Xtral® panels is further enhanced due to the product being designed to eliminate oil-canning, providing long term protection of investments

WARRANTY

The Xtral® sustainable façade range is an incredibly durable material when used in the right application and installed by licensed professionals.

Xtral® includes a long warranty, subject to standard terms and conditions.





A GREENER FUTURE

At Valcan, our goal is to become a greener and more sustainable company by constantly evaluating and improving our operations. We aim to lead the charge in our industry by:

- ▶ Continually researching and implementing innovative, eco-friendly manufacturing processes.
- ▶ Promoting responsible sourcing of raw materials and engaging with suppliers who share our commitment to sustainability.
- ▶ Encouraging our employees to adopt sustainable practices, both at work and in their daily lives.
- ▶ Collaborating with industry partners to advocate for better environmental policies and standards.

By taking these steps, we hope to create a positive impact on the environment and inspire others within our industry to follow suit. Together, we can build a more sustainable future for generations to come.

PARTNERSHIP WITH ECOLOGI

Valcan has joined forces with Ecologi, a forward-thinking organisation that plants trees and supports community projects worldwide. Through this partnership, we are offsetting our carbon emissions, contributing to reforestation efforts, and investing in global sustainability projects.

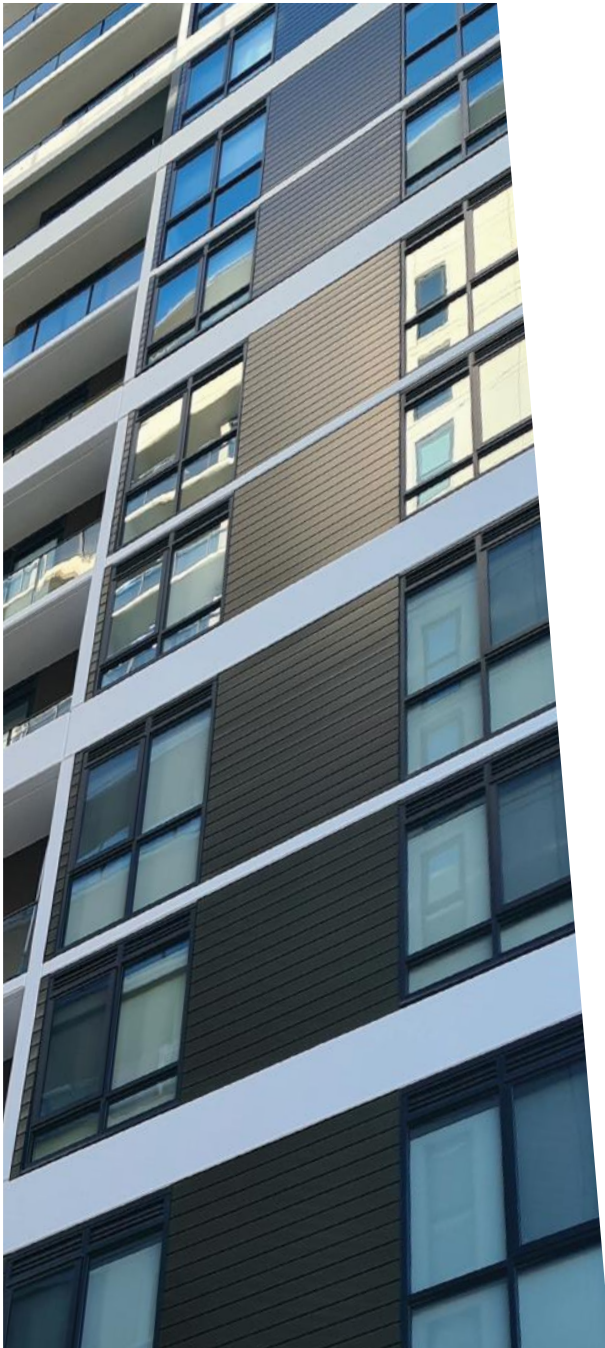
RECYCLING PROGRAM FOR ALUMINIUM PANELS

We believe in the power of recycling and have implemented a recycling program for our aluminium panels. Customers can return old or damaged panels to us, and we will recycle the materials, ensuring that resources are utilised efficiently where waste is minimised.



Cert No: 16388





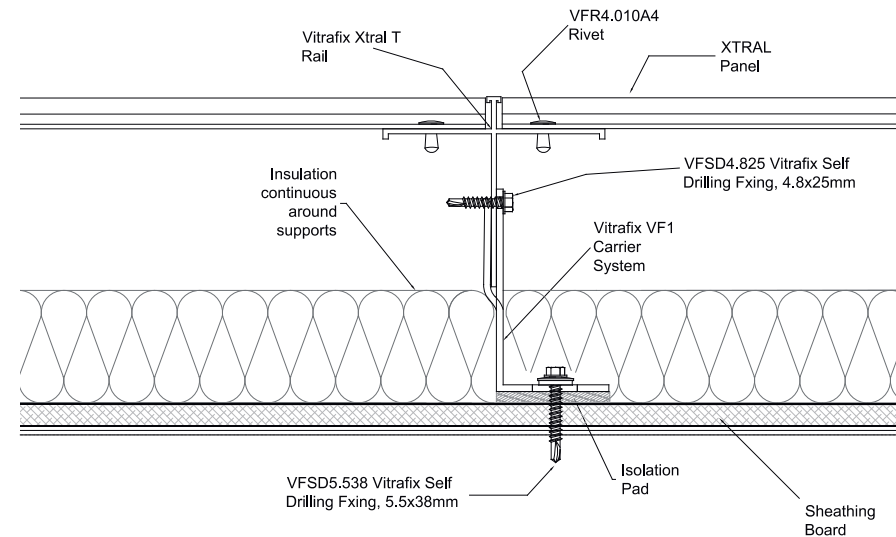
TYPICAL DRAWING EXAMPLES

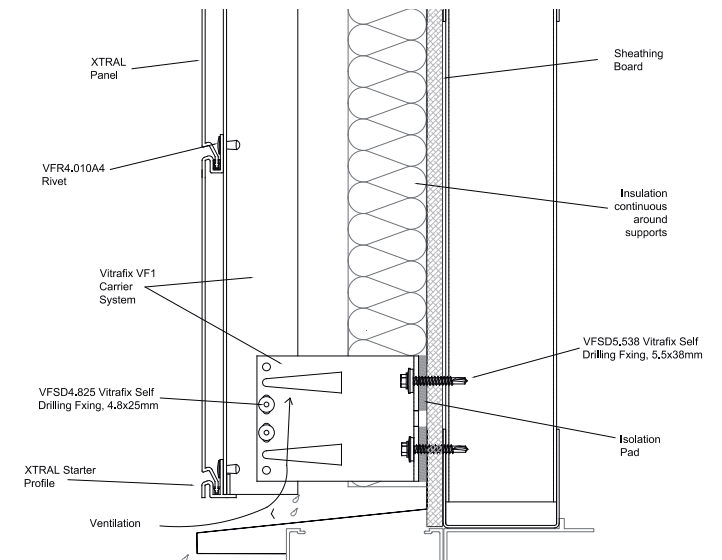
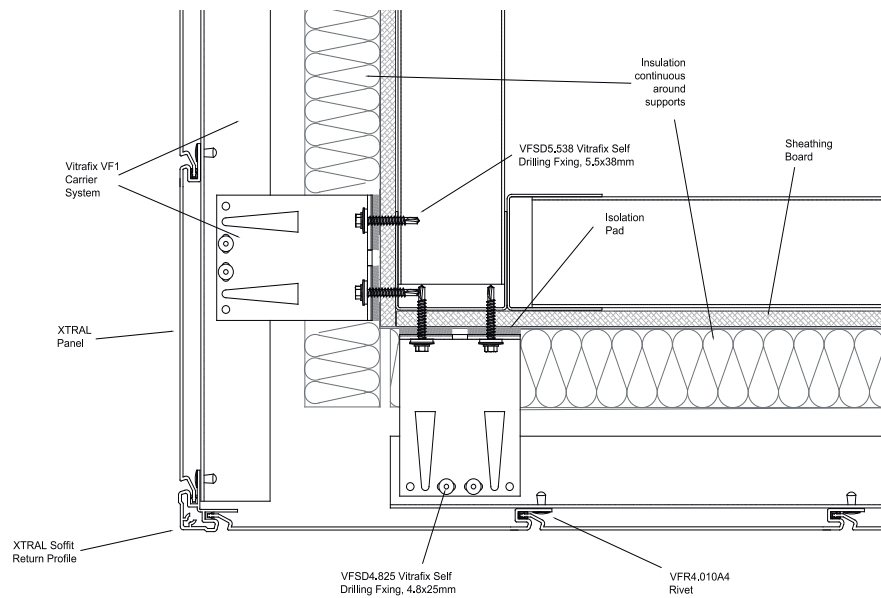
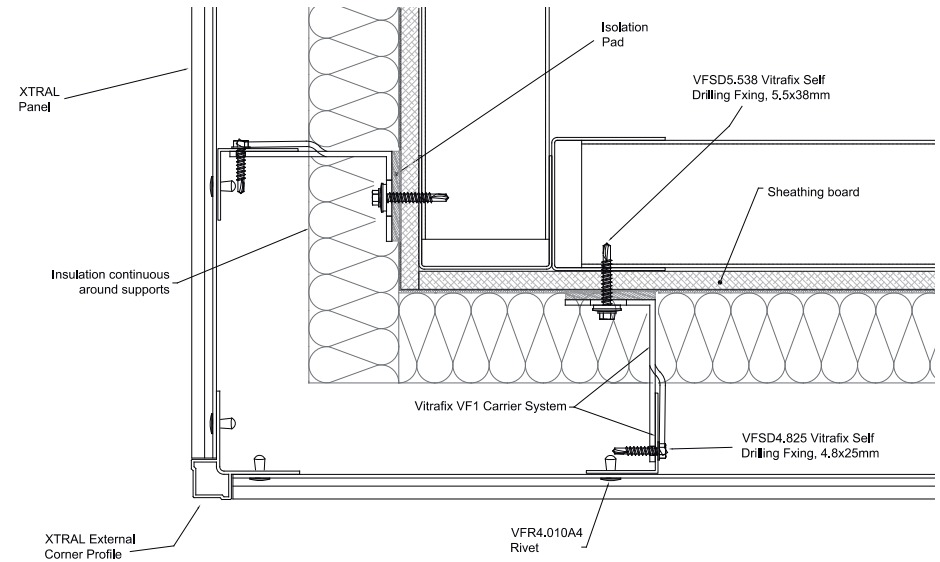
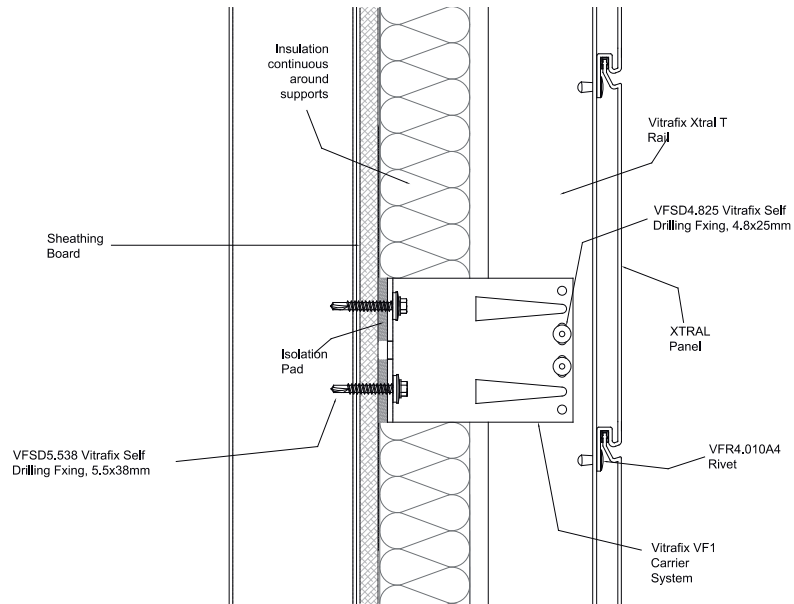
Tailored for architects and installation professionals, these drawings vividly demonstrate the seamless integration of our systems with a variety of panel options, including non-combustible fibre cement, aluminium, vitreous enamel, and extruded porcelain panels.

Our drawing illustrates the precise installation process, ensuring a secure and visually striking result with every panel, or fixing type. Whether you're working with the

rugged durability of fibre cement (Ceramapanel®) or the sleek elegance of aluminium (VitraDual®), our drawings provide a clear and informative guide for implementing our VitraFix® cladding systems.

You can find our typical drawings on our website on each of the product pages. If you're looking for alternative fixing systems you can request them by contacting us direct on **01278 428 245** or emailing enquiries@valcan.co.uk









DISCLAIMER

While the information provided relating to Fairview Architectural products is true to the tests and measures available to us, the information provided in this article is general in nature only and does not constitute project-specific building, construction or fire-safety advice.

Before acting on any information on this document, you should consider the appropriateness of the information having regard to your project parameters and requirements. Fairview products are deemed suitable or compliant after approval from building and construction professionals associated with specific projects and developments.

If you'd like some further insight about this topic, contact Valcan on 01278 428245 or email enquiries@valcan.co.uk and the team will be happy to offer you more information and advice.

All colours represented in all imagery have been reproduced as a guide only. For precise colour reproduction please refer to physical product samples.



V A L C A N

The Defining Standard

T: +44(0)1278 428 245

E: enquiries@valcan.co.uk

W: www.valcan.co.uk

Dunball House,
Woodlands Court Business Park,
Bristol Rd, Bridgwater, Somerset
TA6 4FJ