

CLADDING  
SIDING  
SOFFIT

**PARKLEX PRODEMA**

To meet the diverse realities of current architecture, we have dedicated ourselves to expanding our collection of exterior facade panels at Parklex Prodema. The new textured panels with color embody a relief with the unique organic variations of wood while offering a meticulously curated palette. From the deep red reminiscent of traditional Nordic huts to the sleek monochrome elegance of modern facades, and the vibrant, captivating tones synonymous with contemporary architecture, the selected colors aim to open a new realm of design possibilities.

For projects where the authentic allure of natural wood is of utmost importance, we offer a selection of varieties such as Oak, Eucalyptus, or Bamboo, species with an enhanced presence of high-contrast wood grains and knots. Suitable for installation as a soffit in covered, horizontal features, they are excellent for applications that maintain the sophisticated elegance of raw wood.

Our assortment of exterior panels is not complete without our signature natural wood panels. Engineered with species from sustainably managed forests, they seamlessly combine the timeless feel of wood with the hallmark characteristics of Parklex Prodema products: weather resistance, no maintenance, fire safety, and versatility of use. The natural Okume, Birch and Ayous veneers are treated with pigmented overlays to achieve a wide range of hues with warm or reddish undertones, lighter and darker shades and several deep, classic brown looks. Explore our updated selection of exterior panels for a comprehensive variety in which high-end aesthetics meet technical excellence.















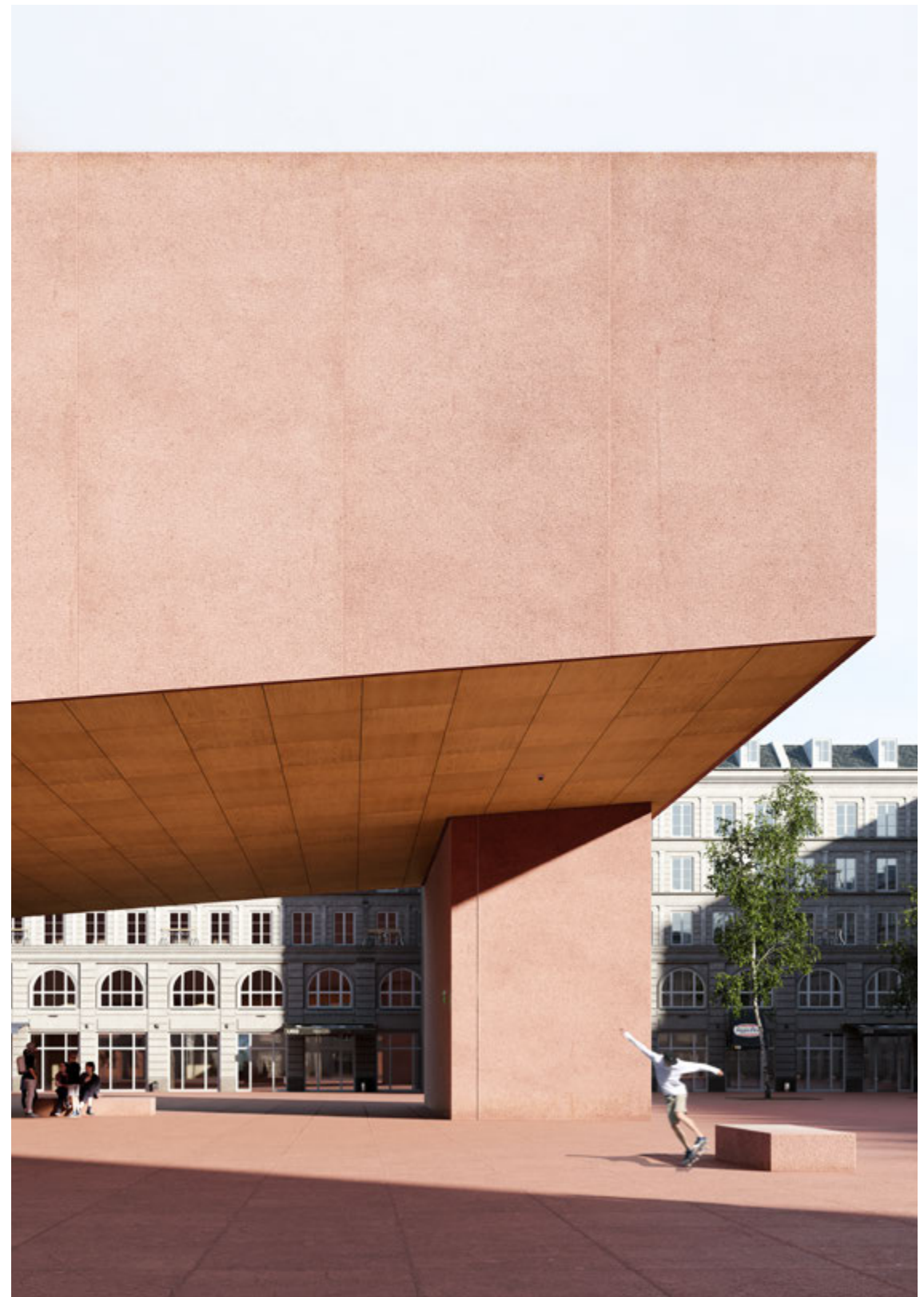


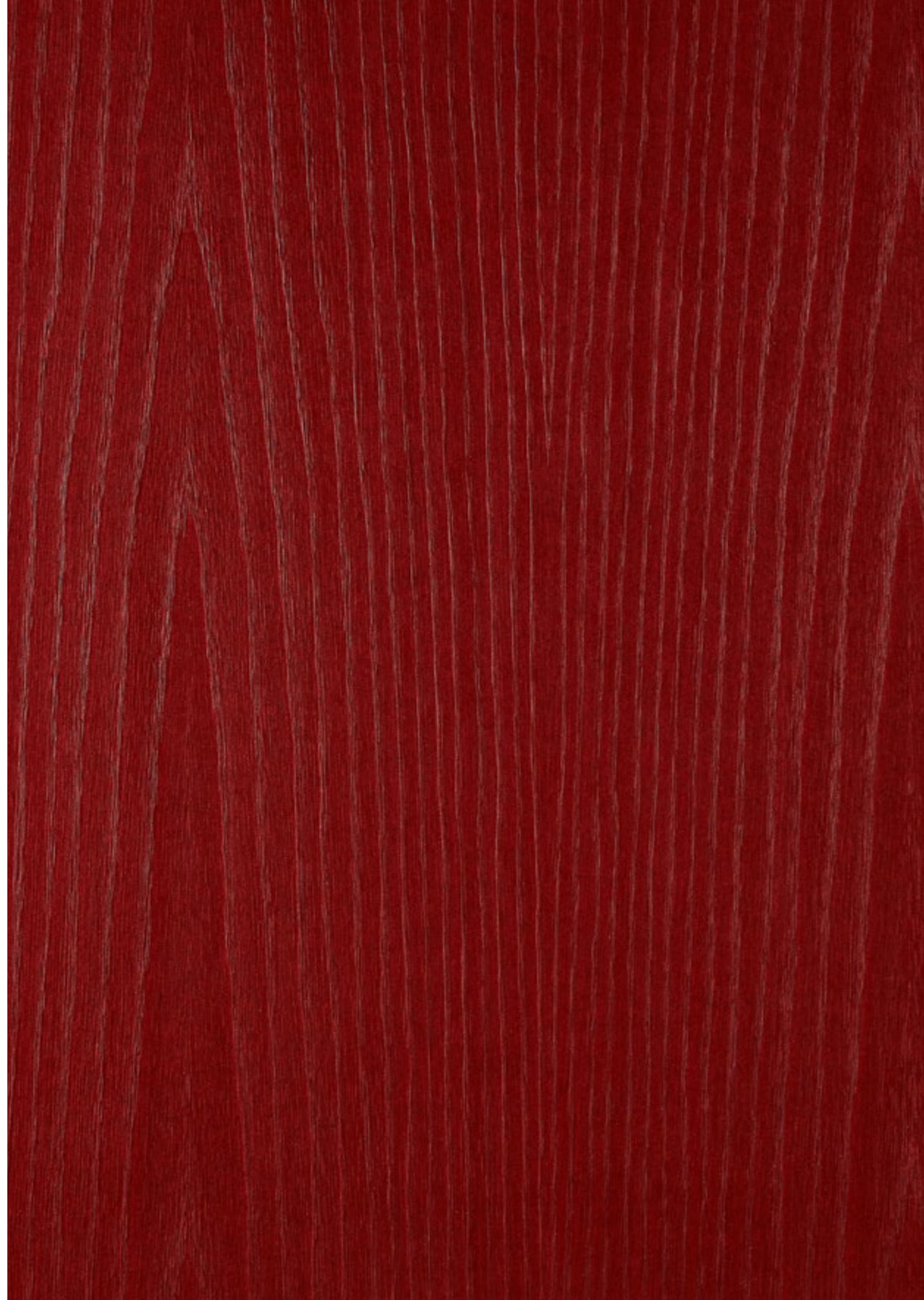
















Our textured panels feature a relief on their surface manufactured with natural wood, resulting in organic variations that allow the creation of unique textures without repeated patterns. The wide range of tones provides increased possibilities for design, all while maintaining our usual technical characteristics: weather resistance, no maintenance, fire safety, and versatility of use. As such, the entire product line is ideal for use in exterior facades.



White



Grey



Stonegrey



Black



Green



Olivegreen



Red



Beige



Vanilla



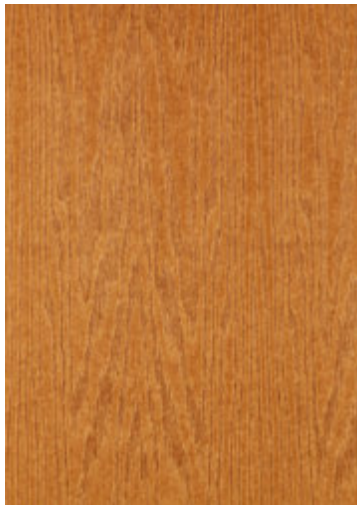
Cinder



Chia



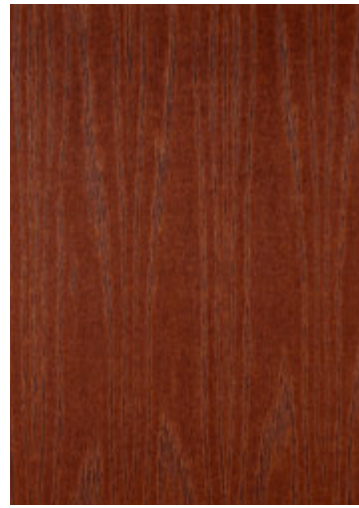
Tobacco



Mustard



Sesame



Cinnamon

Our panels with coatings of Oak, Eucalyptus, Ayous and Bamboo varieties allow for the ultimate expression of natural wood. These species feature a high presence of wood grains and knots, whose depth creates a stark visual contrast with the background color. This range of panels, designed for installation as a soffit in covered, horizontal features, is ideal for projects where the genuine charm of natural wood is a top priority.



Grey Ayous



Honey Eucalyptus



Grey Eucalyptus



White American Oak



Grey American Oak



Artisan Oak

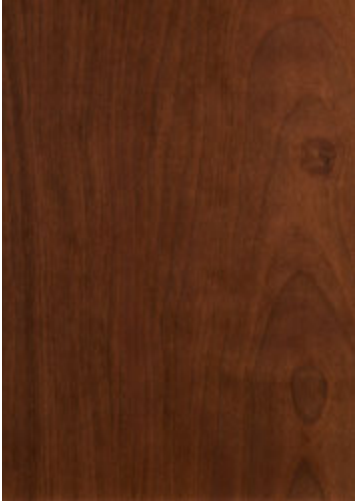


Coffee Bamboo

Our most renowned panels offer the elegance of natural wood while embodying the technical characteristics suitable for exterior applications, such as high resistance to climate elements and no maintenance. Engineered with Okume, Birch and Ayous veneers from sustainably managed forests, the added pigmented overlays allow to bring out different nuances of these tropical woods, creating a range with different saturations and levels of warmth. There are five more finishes available on our website: Cocoa, Boreal, Rubi, Chestnut and Coffee.



Rustik



Hazel



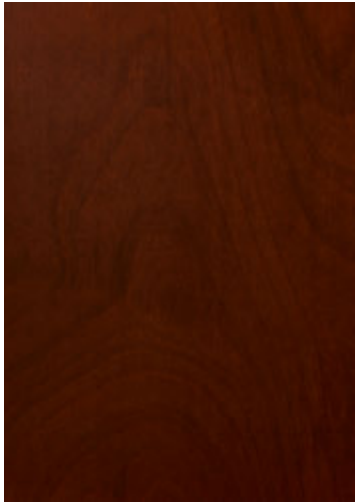
Ambar



Antra



Nux



Onix



Pale



Quartz



Silver

A fiberglass-reinforced core constitutes the hallmark of our fireproof panels, a cutting-edge, non-combustible product that exceeds the strict fire regulations of high-rise buildings while maintaining all of the benefits of our exterior panels. We offer a selection of finishes, including a curated palette of five colors that feature a surface texture with unique, organic variations. For projects that call for the appearance of natural wood, our Rustik finish offers the possibility of generating a facade with high fire performance while providing the natural warmth of the timber. For guidance or clarification concerning the fire regulations for your project, visit our webpage or contact us.



White



Grey



Beige



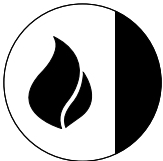
Vanilla



Mustard



Rustik



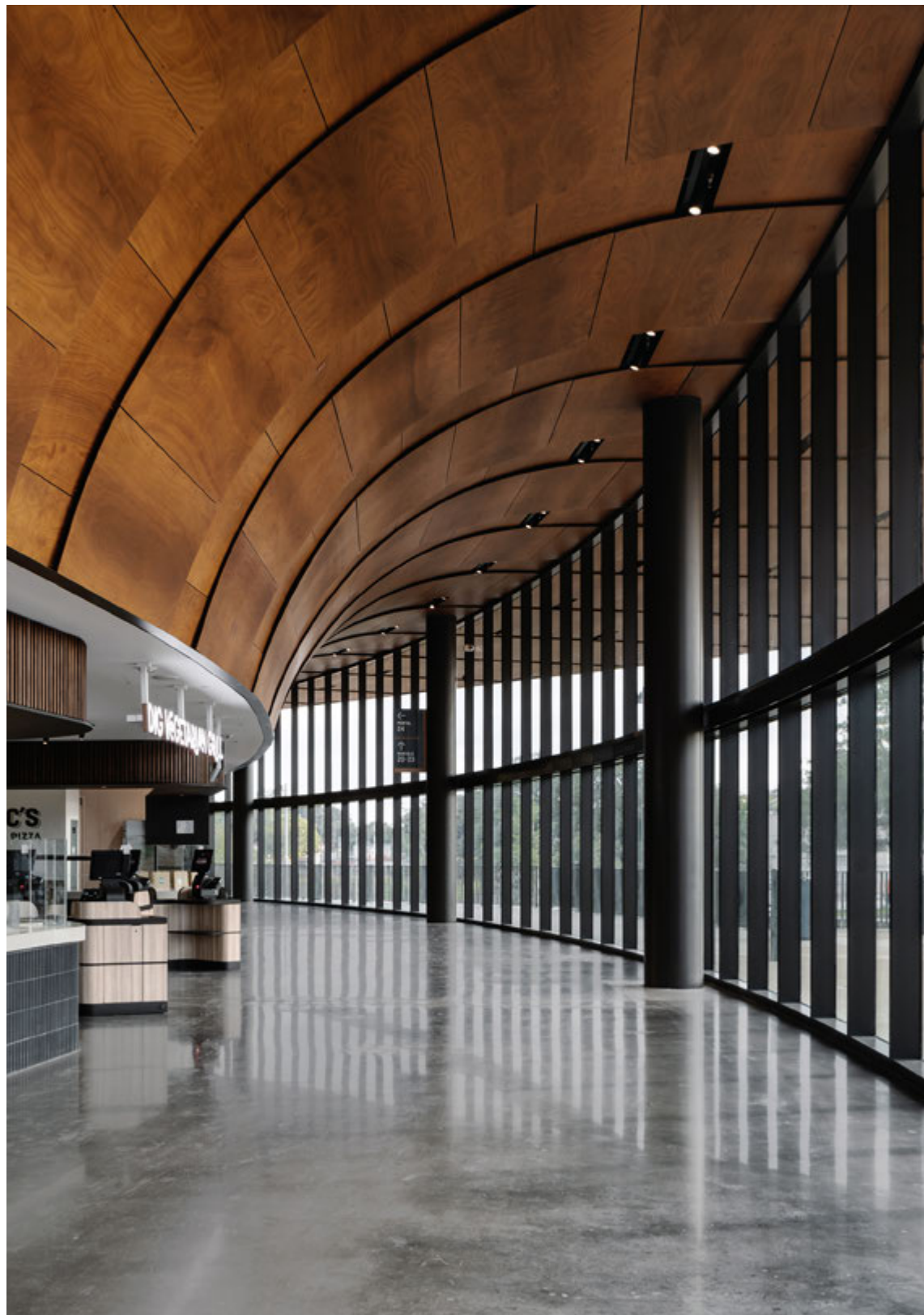
As the merger of two leading international brands with a shared vision of growth and innovation, our main pride through our journey at Parklex Prodema has been to contribute to outstanding architectural projects. Our products have gained the trust of renowned architects worldwide, including 7 Pritzker Prize winners, thanks to their ability to seamlessly blend the natural elegance of wood with the cutting-edge technology of engineered panels. From cladding made to withstand the harshest of weather conditions to soffits that allow horizontal features to extend seamlessly from the inside to the outside, Parklex Prodema panels have empowered architects to create striking exterior facades where wood takes center stage. We hope to keep offering high-end solutions that cater to the evolving needs of architectural initiatives, addressing the realities of the present and beyond.

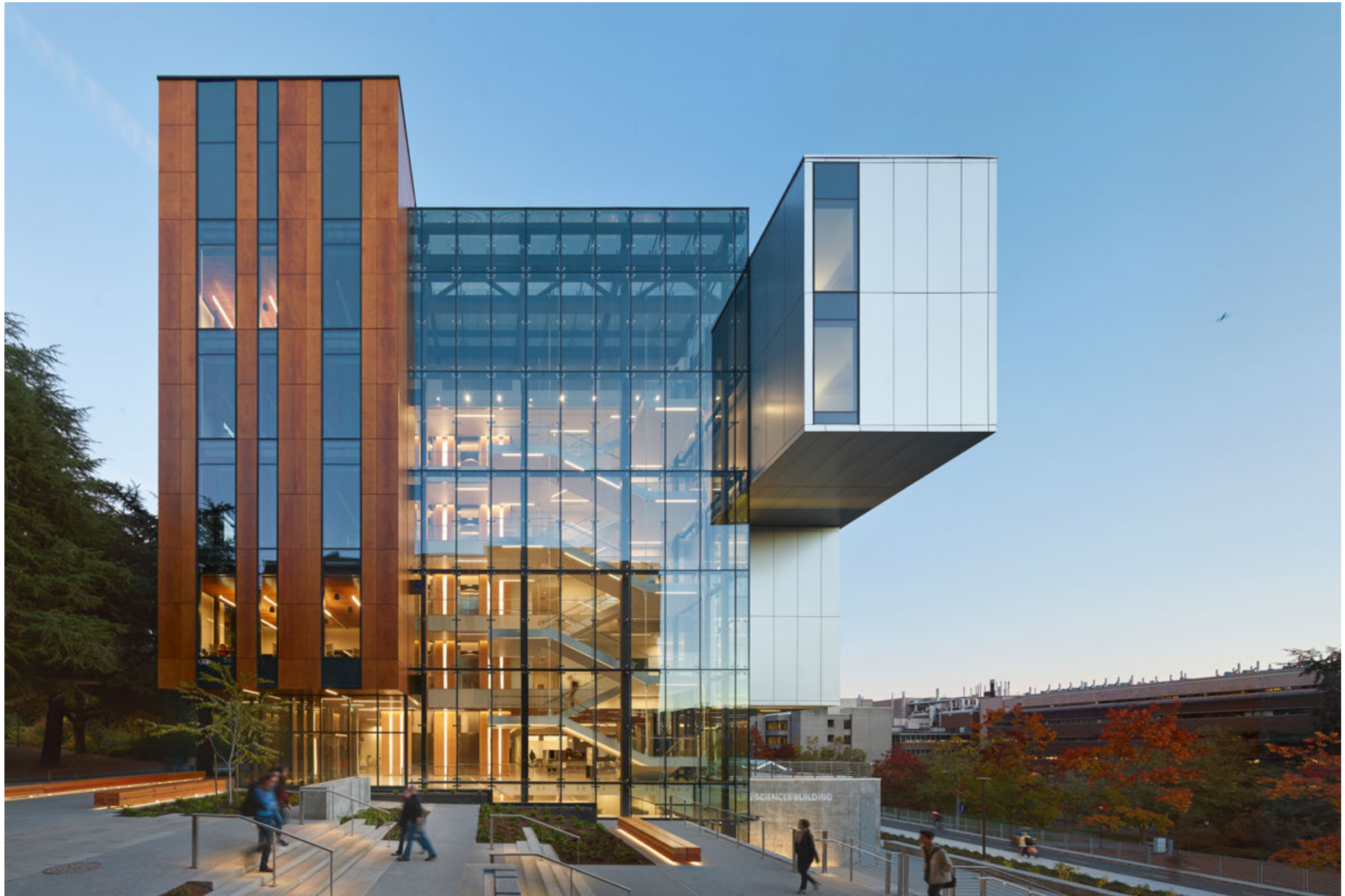


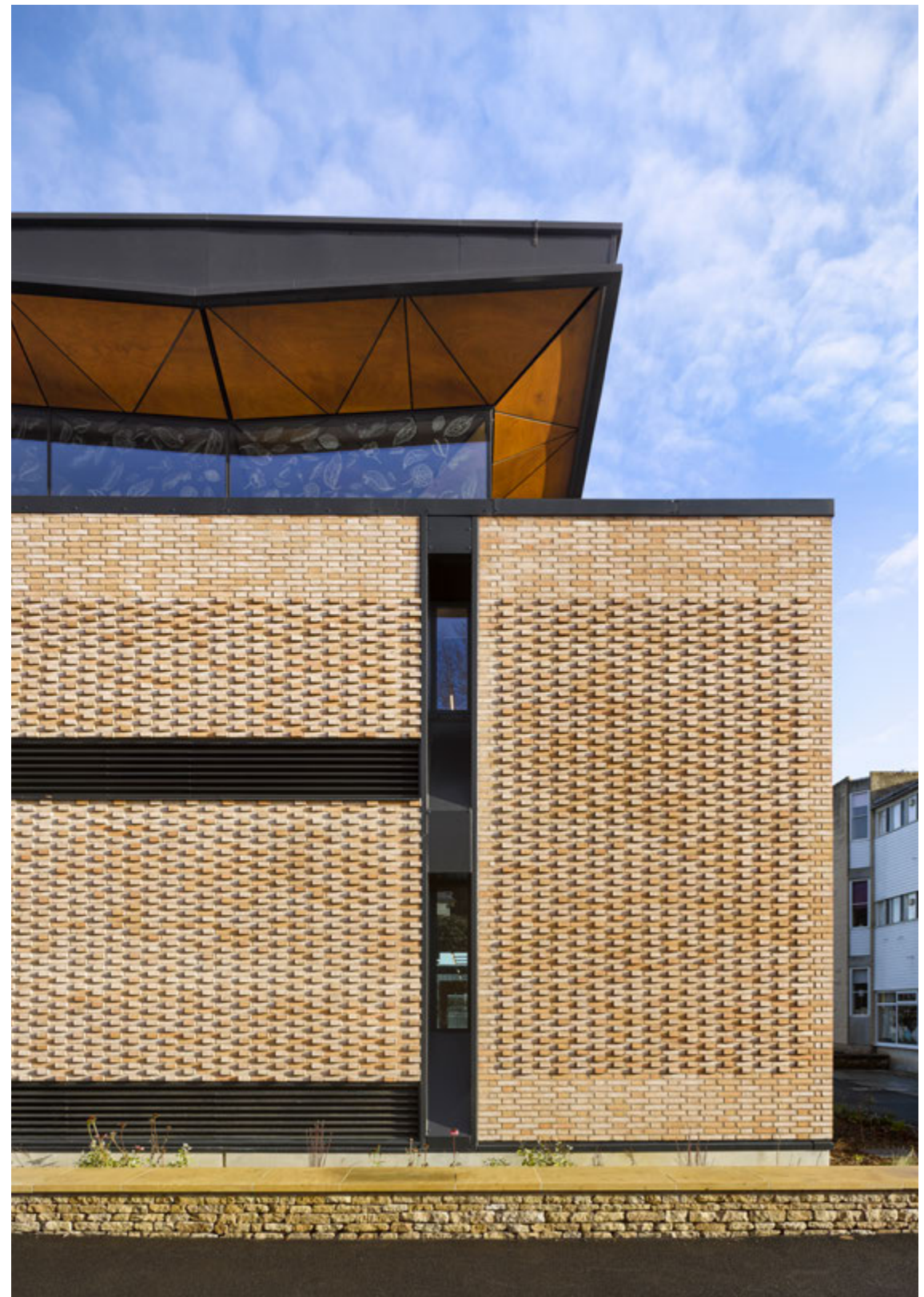
















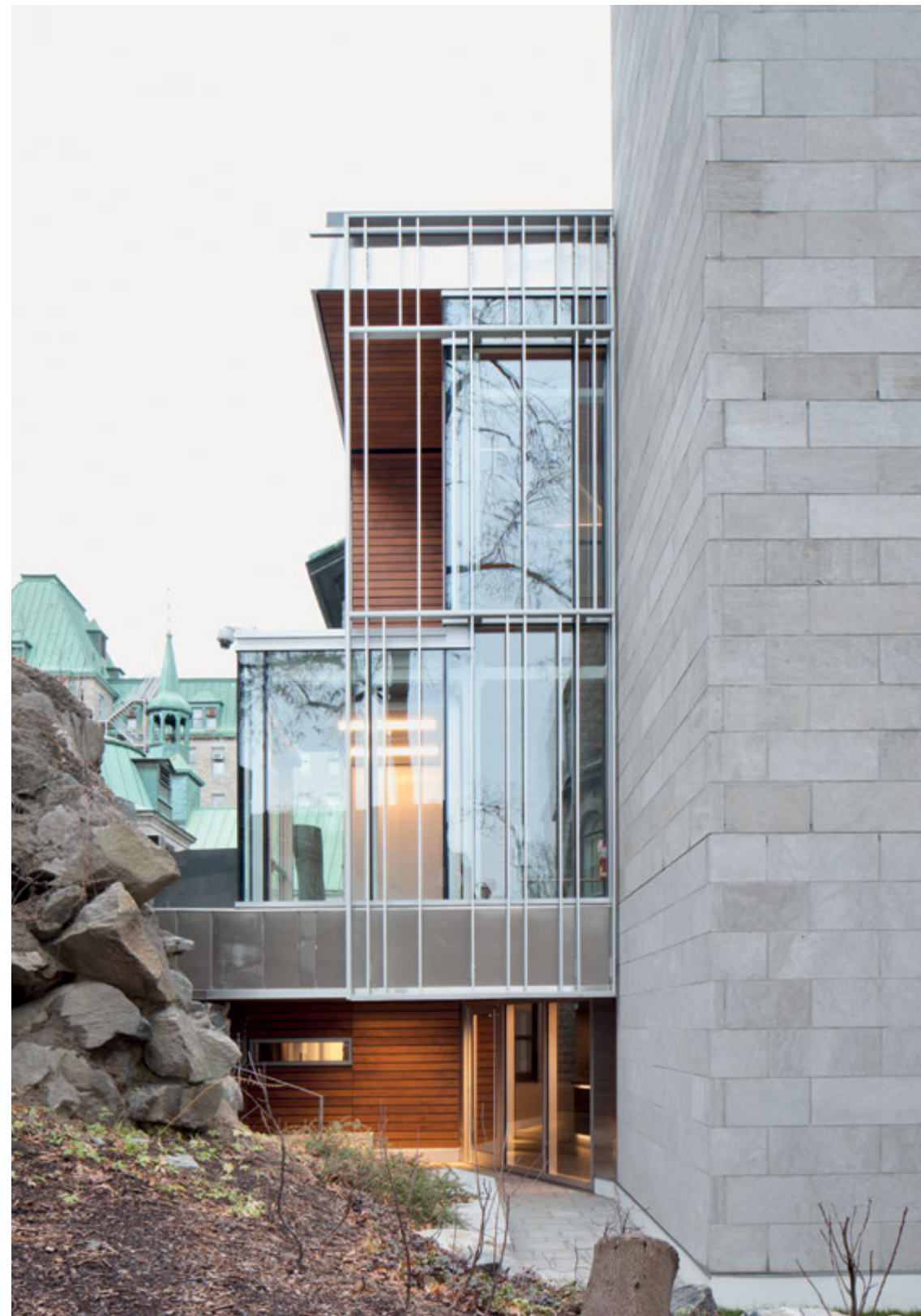








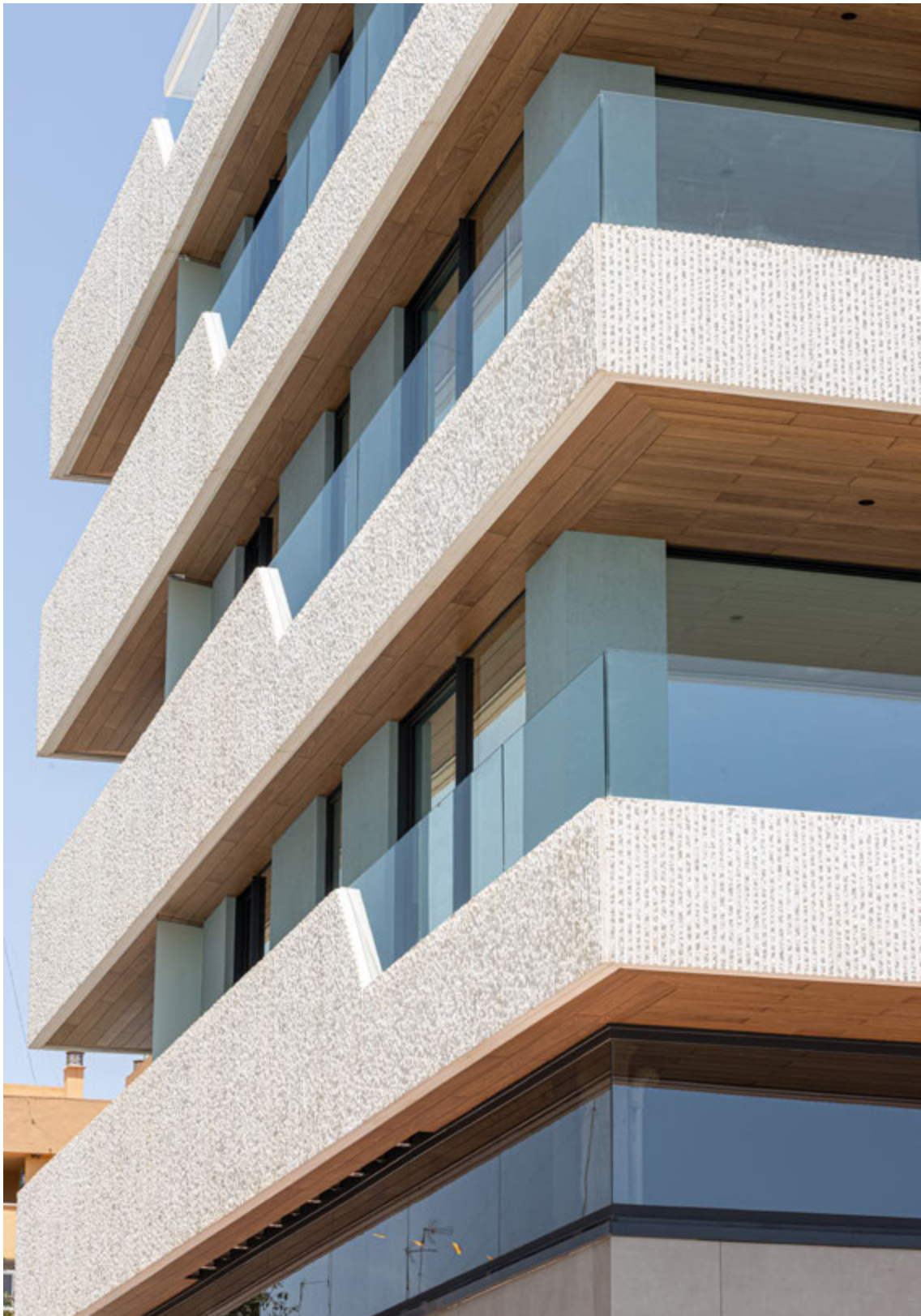






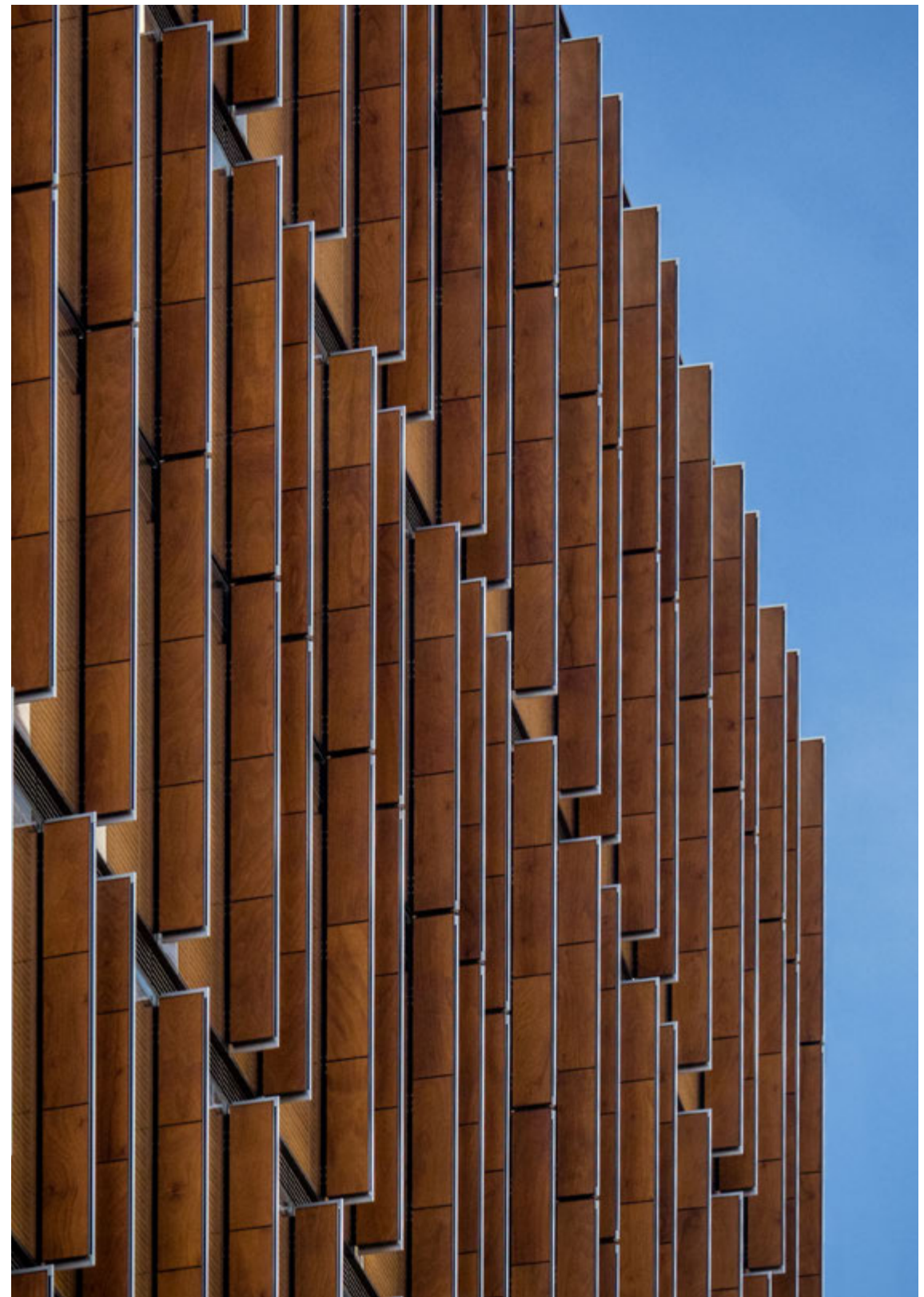














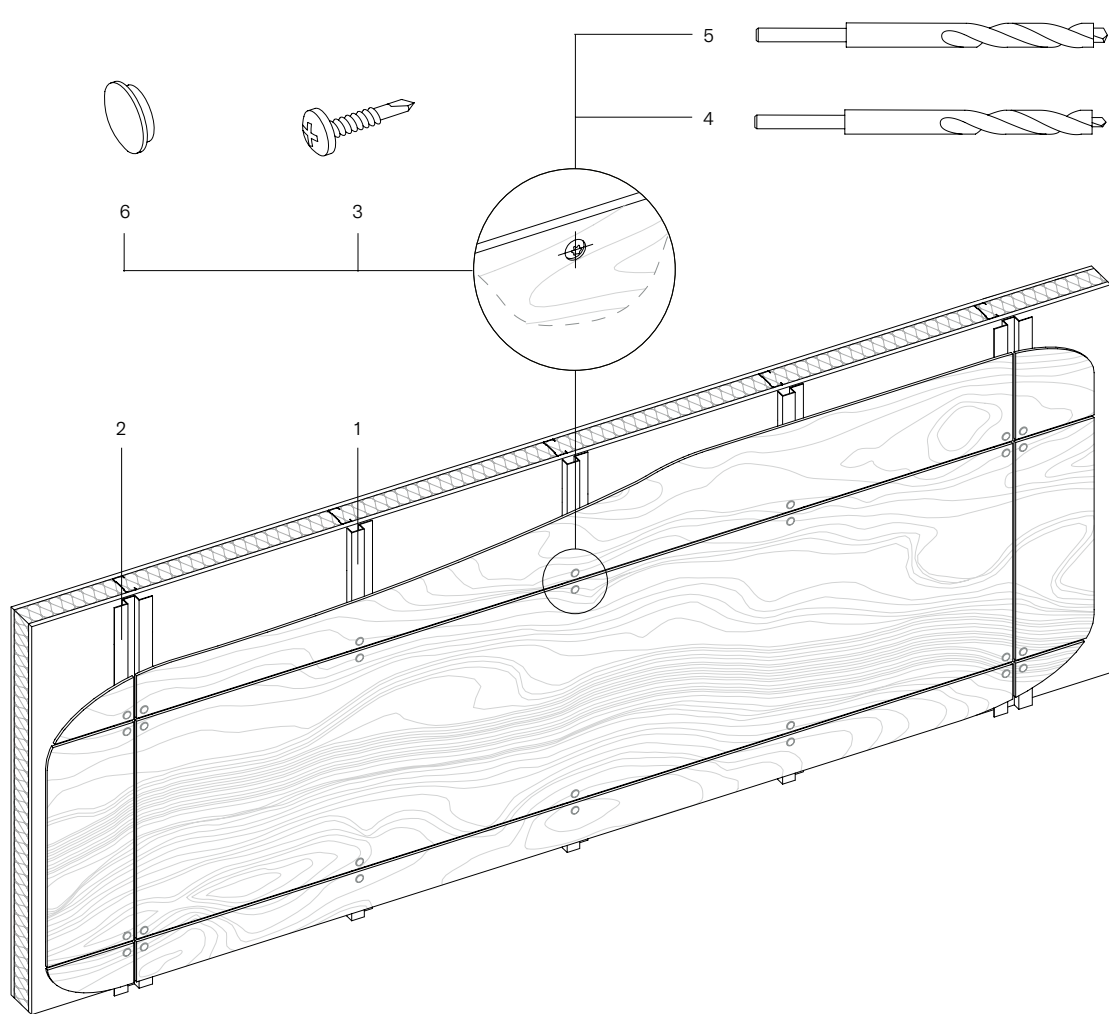




Our aim at Parklex Prodema is to offer comprehensive solutions that adapt to each architectural project while facilitating a smooth and efficient process. With our cladding and soffit panels, we provide custom-cutting and custom-machining services, enabling precise alignment with the unique requirements of each design, including specific measurements and acoustic considerations. As the flexibility of the wood fibers allows our panels to be adapted to certain radii of curvature, we also provide tailored installation for curved surfaces. We supply all necessary accessories for the implementation of our products, ensuring that our clients can rely on us for a completely hassle-free experience.



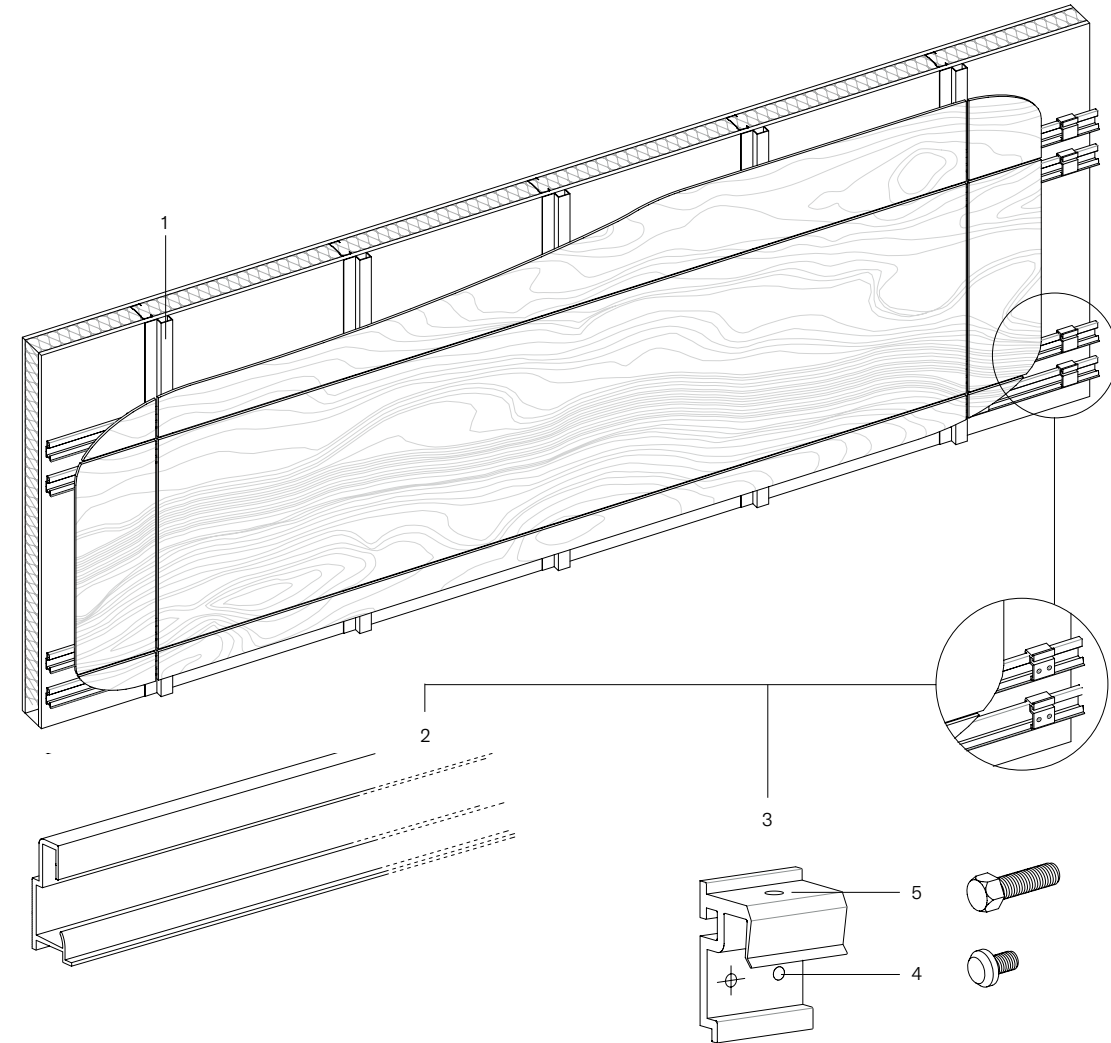
To fit each project's needs, we offer a tailored installation of our cladding panels. The standard board of 96"×48"/2440×1220 mm can be custom-cut according to the facade sectioning defined by the design - we can also provide 106"×48"/2700×1220 mm panels upon request. Panel thicknesses range from 8 to 22mm in 2mm increments, being 8 and 10mm the most used. Panels with a thickness of 6mm are available for special applications. The substructure shown in the images is an example of a substructure valid for ventilated facades.



CONCEALED FASTENING WITH CAPS

JAYS AND HATS  
96" x 48" / 2440 x 1220 mm  
Panel thickness ≥ 10 mm

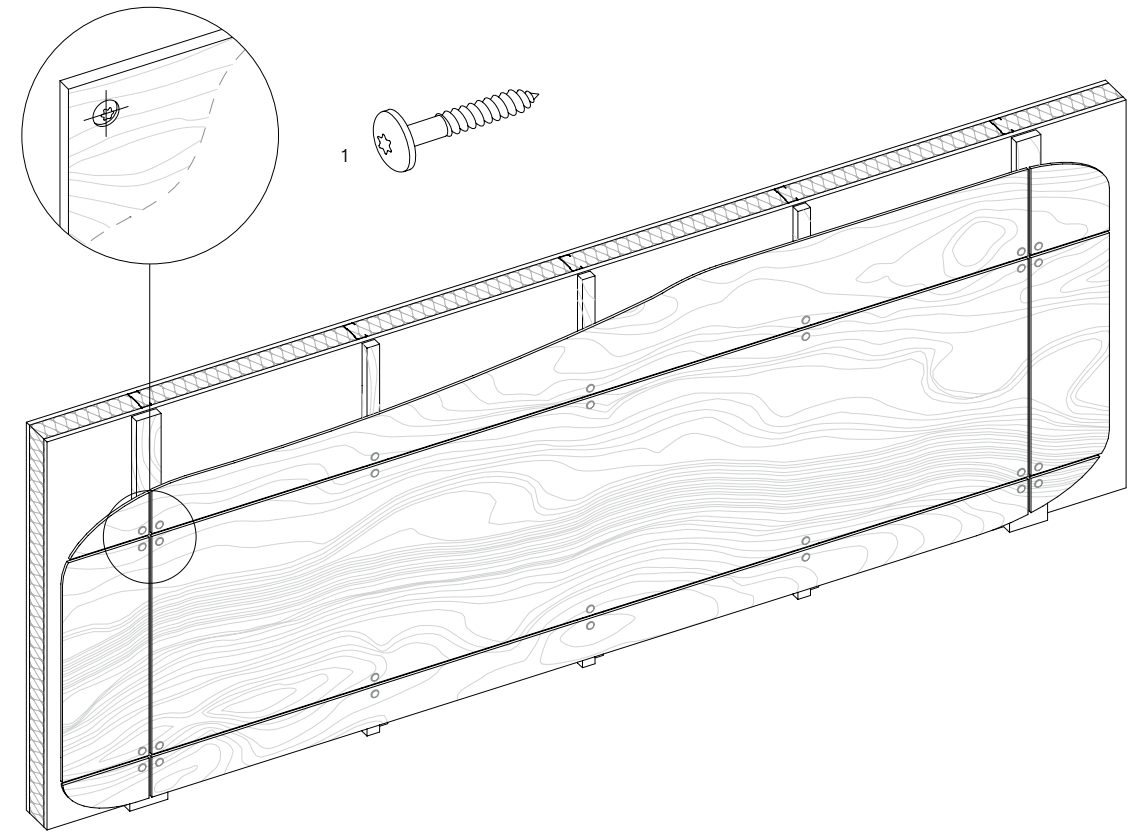
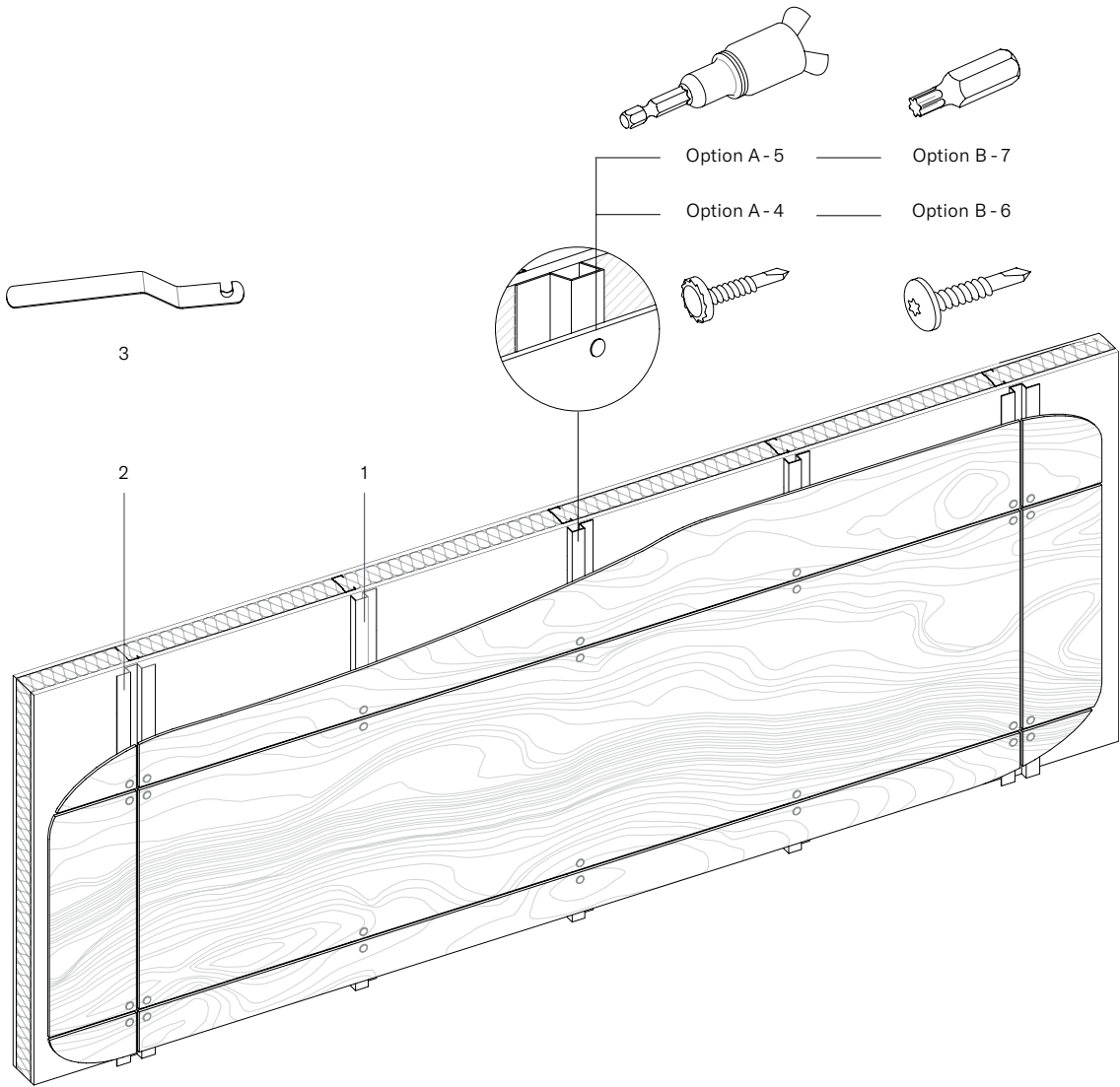
- 1 J Profile: 10'/3m Aluminum
- 2 Hat Profile: 10'/3m Aluminium
- 3 Cap 14.25mm Diameter
- 4 DIN7504 Mill Screw - Metal Substructure
- 5 Fix Point Drilling Bit Cap System 14.5mm
- 6 Floating Point Drilling Bit Cap System 14.5mm



CONCEALED FASTENING WITH HANGING HOOKS 10MM

JAYS AND HATS  
96" x 48" / 2440 x 1220 mm  
Panel thickness ≥ 10 mm

- 1 J Profile: 10'/3m Aluminum
- 2 Exterior Hanging Profile 10'/3m Guide Rail
- 3 Exterior Bracket/Panel Fixing Clip/Hanging Hook (150/box)
- 4 Bracket to Panel Clamping Screw 11.5mm
- 5 Leveling Screws DIN 933 M8x25 A2



EXPOSED INSTALLATION SYSTEM

- 1 J Profile: 10'/3m Aluminium
- 2 Hat Profile: 10'/3m Aluminium
- 3 Centering Device for SX3 Screws
- OPTION A
- 4 SX3 15 L12 - 5 Irius Screws for Metal - Painted
- 5 E - 420 Screwing Device for Irius Screws
- OPTION B
- 6 SX3 15 - D12 - 5 TORX Screws for Metal - Painted
- 7 11/32" Titanium Coated Twist Drill Bit

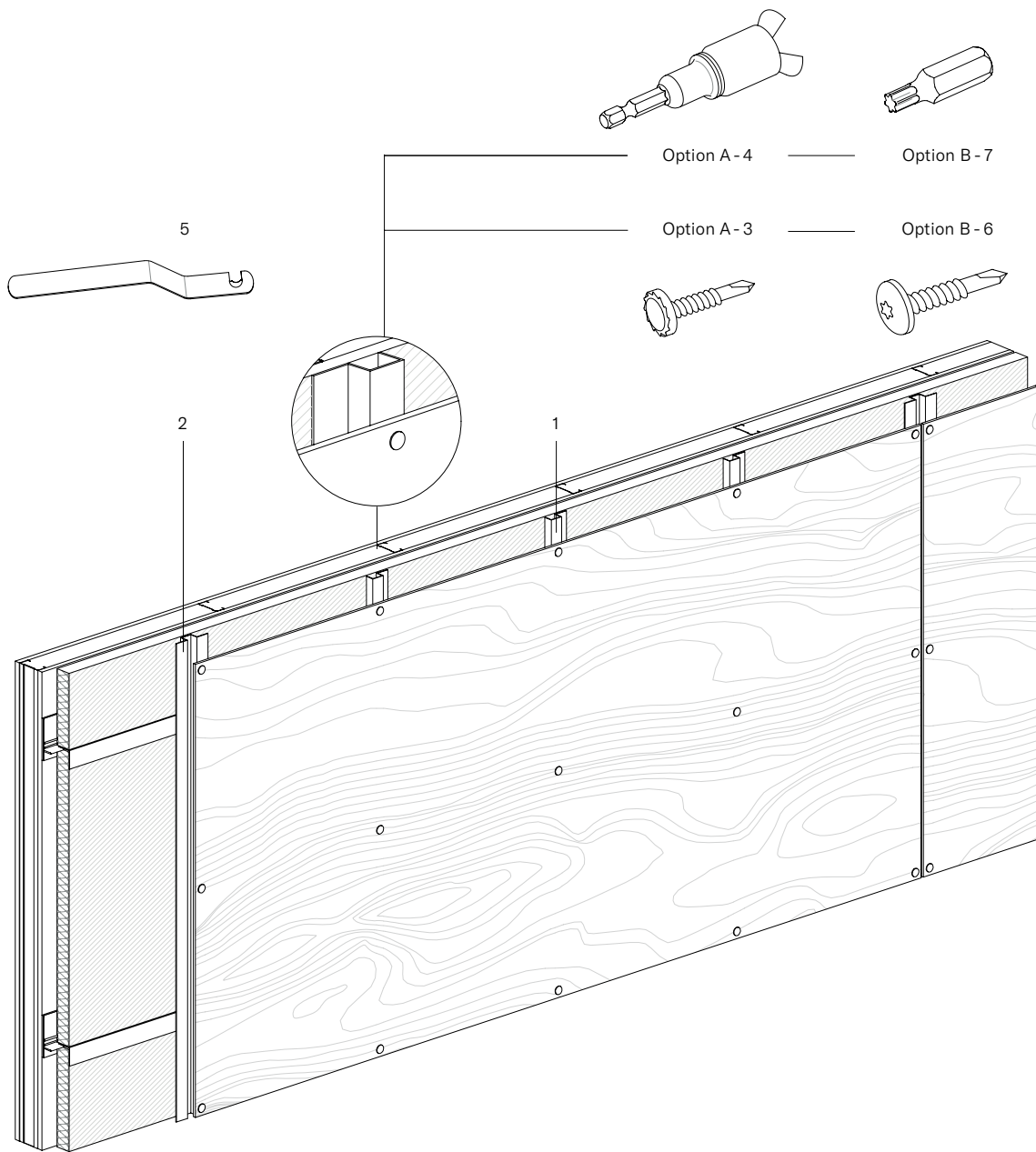
JAYS AND HATS  
 96" x 48" / 2440 x 1220 mm  
 Panel thickness ≥ 8 mm

EXPOSED INSTALLATION SYSTEM

- 1 TW - S D12 - 4 Screw for Wood - Painted

WOOD SUBFRAME  
 96" x 48" / 2440 x 1220 mm  
 Panel thickness ≥ 8 mm

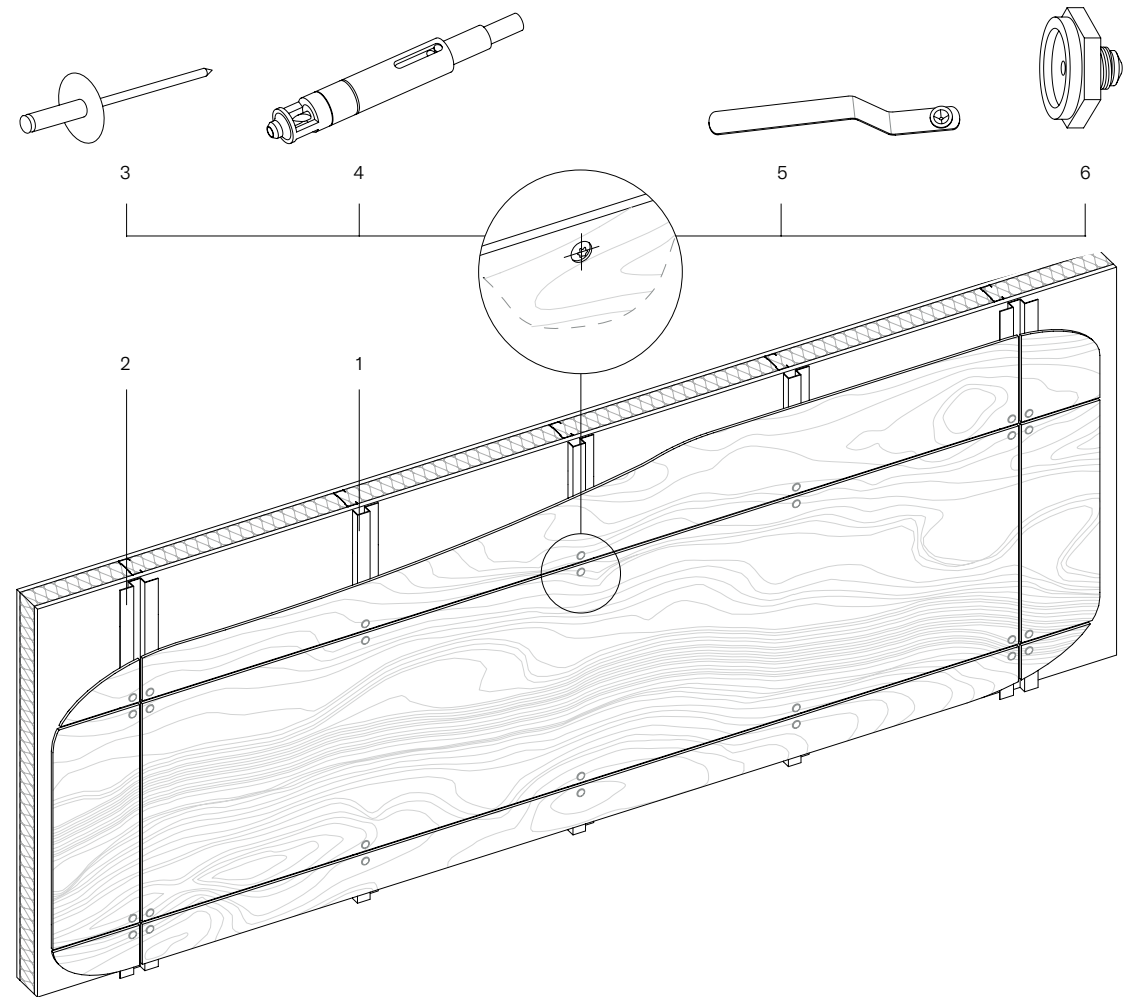




**EXPOSED INSTALLATION SYSTEM**

- 1 J Profile: 10'/3m Aluminum
- 2 Hat Profile: 10'/3m Aluminium
- 5 Centering Device for SX3 Screws
- OPTION A
- 3 SX3 15 L12 - 5 Irius Screws for Metal - Painted
- 4 E - 420 Screwing Device for Irius Screws
- OPTION B
- 6 SX3 15 - D12 - 5 TORX Screws for Metal - Painted
- 7 11/32" Titanium Coated Twist Drill Bit

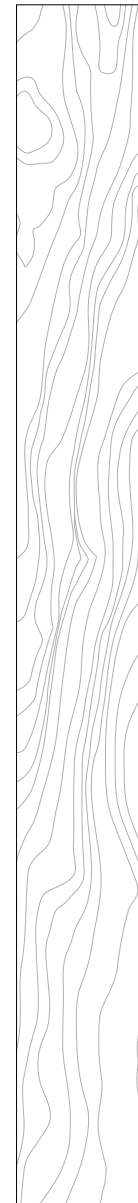
NFPA 285  
 96" x 48" / 2440 x 1220 mm  
 Panel thickness 8 - 10 mm



**EXPOSED INSTALLATION SYSTEM WITH RIVETS**

- 1 J Profile: 10'/3m Aluminum
- 2 Hat Profile: 10'/3m Aluminium
- 3 AP16 L18 Rivet - Laquered
- 4 Centering Device with Drill Included for AP Rivets
- 5 Centering Device - manual - for AP Rivets
- 6 Nozzle for Rivet AP Floating Point

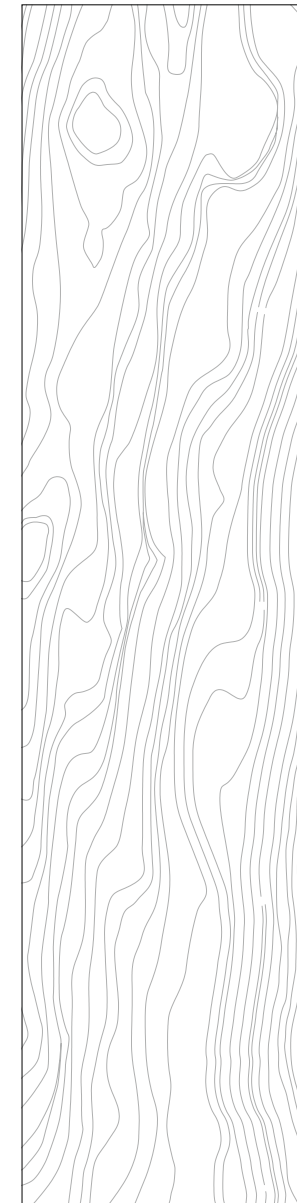
JAYS AND HATS  
 96" x 48" / 2440 x 1220 mm  
 Panel thickness ≥ 8 mm



5,35"×96"  
137×2440mm

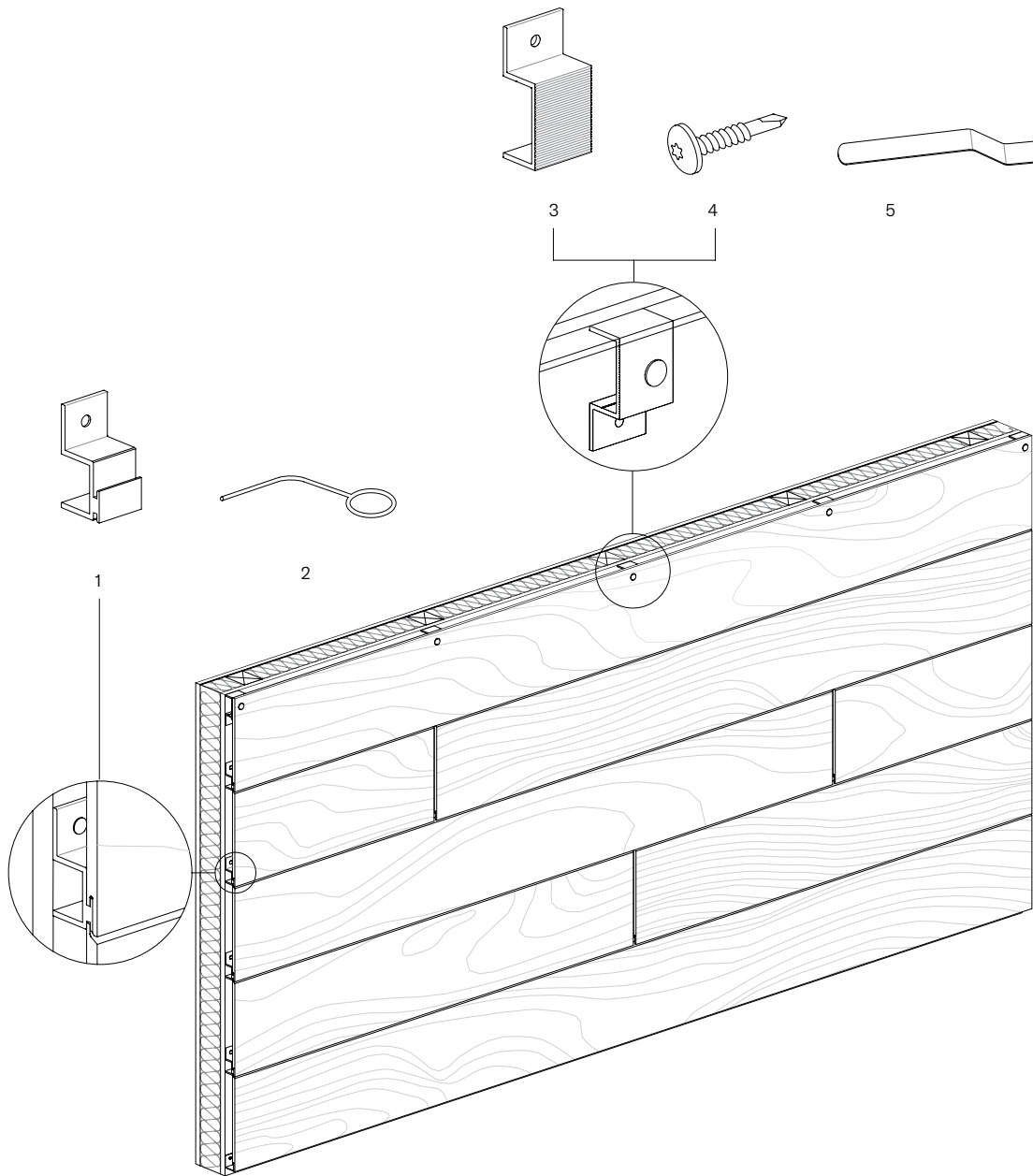


7,40"×96"  
188×2440mm



11,42"×96"  
290×2440mm

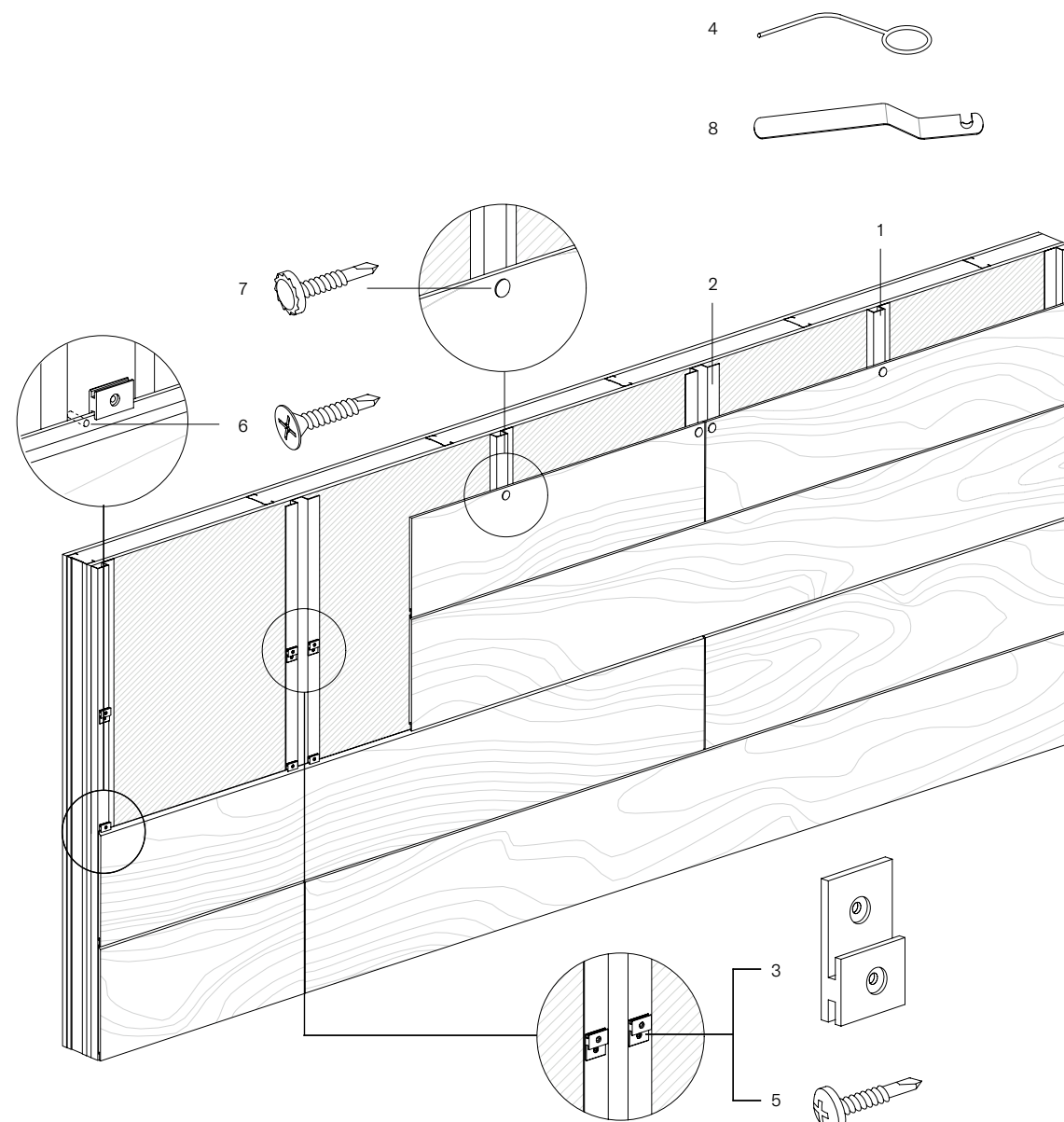
Our siding slats feature three predetermined dimensions to adapt to several design widths. We offer installation systems for horizontal and vertical solutions as well as the possibility of applications with overlap. The standard slat thickness available for siding is 8mm. The substructure shown in the images is an example of a substructure valid for ventilated facades.



**HORIZONTAL ONESIDING**

5,35"×96"/137×2440mm  
 7,40"×96"/188×2440mm  
 11,42"×96"/290×2440mm  
 Panel thickness 8mm

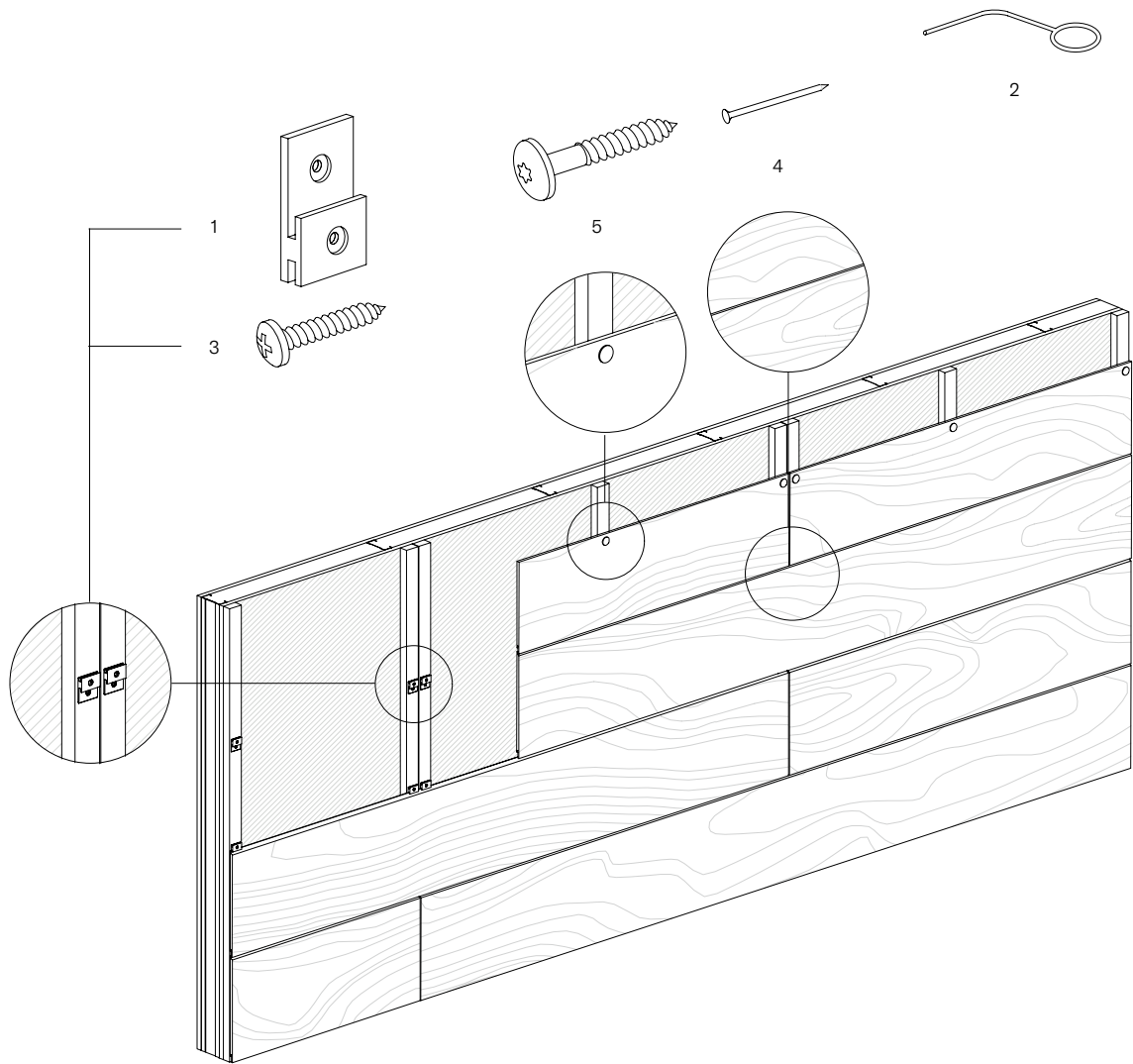
- 1 Onesiding clip
- 2 Gap Gauge Tool
- 3 1"/25mm Jay Shim
- 4 SX3 15 - D12 - 5 TORX Screws for Metal - Painted
- 5 Centering Device for SX3 Screws



**HORIZONTAL SIDING**

**JAYS AND HATS**  
 5,35"×96"/137×2440mm  
 7,40"×96"/188×2440mm  
 11,42"×96"/290×2440mm  
 Panel thickness 8mm

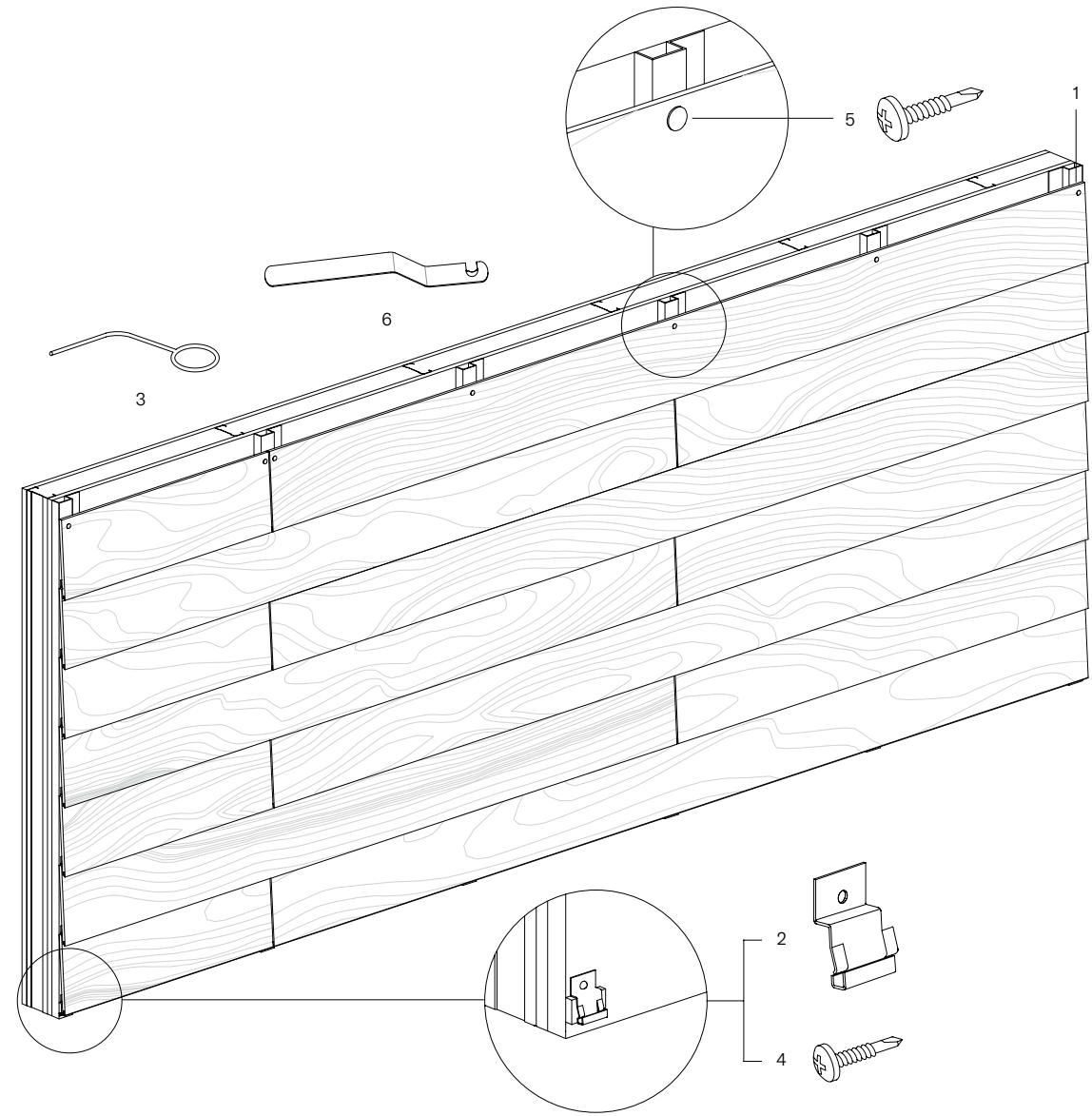
- 1 J Profile : 10'/3m Aluminum
- 2 Hat Profile: 10'/3m Aluminum
- 3 Fixing Clip
- 4 Gap Gauge Tool
- 5 Metal Screw for Fixing Clip DIN 7504
- 6 Fixed Point Screw (metal) BCPA2 - 4,2×23mm
- 7 SX3 15 - D12 - 5 TORX Screws for Metal - Painted
- 8 Centering Device for SX3 Screws



**HORIZONTAL SIDING**

**WOOD SUBFRAME**  
 5,35"×96"/137×2440mm  
 7,40"×96"/188×2440mm  
 11,42"×96"/290×2440mm  
 Panel thickness 8mm

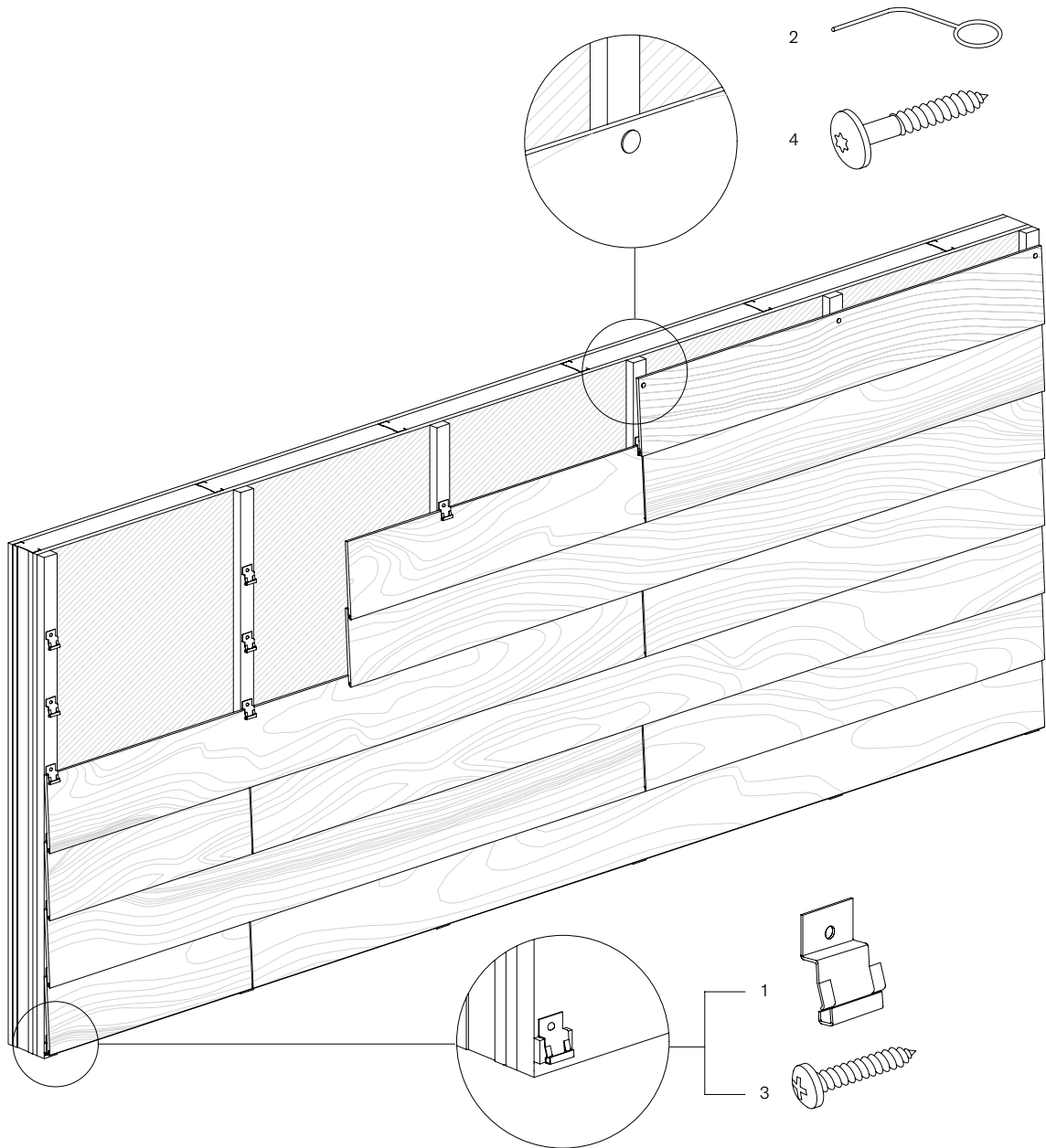
- 1 Fixing Clip
- 2 Gap Gauge Tool
- 3 Wood Screw for Fixing Clip DIN 7505
- 4 Fixed Point Nail (Wood) d:2mm/L:20mm
- 5 TW - S D12 - 4 Screw for Wood - Painted



**LAP SIDING**

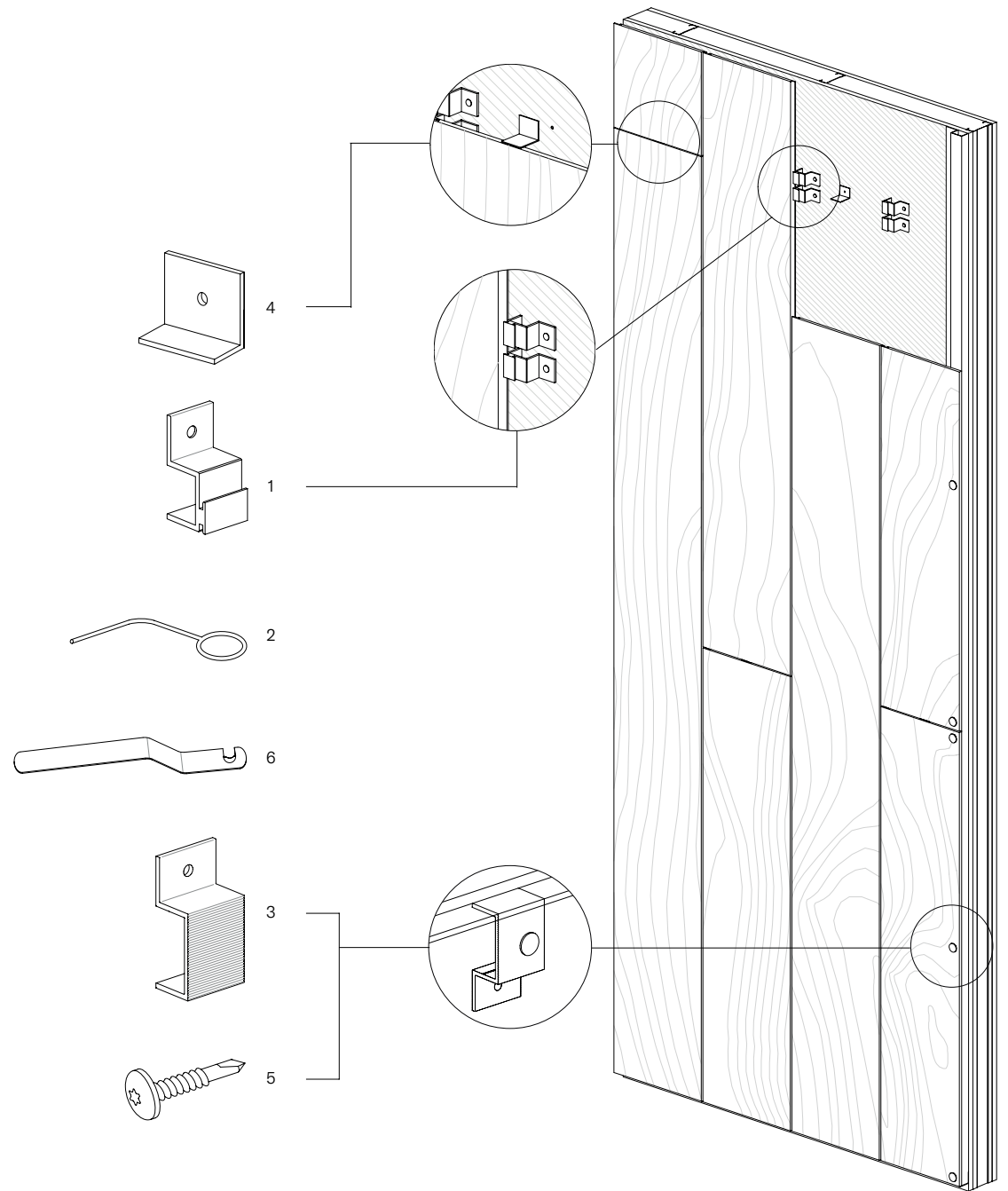
**JAYS AND HATS**  
 7,80"×96"/198×2440mm  
 11,81"×96"/300×2440mm  
 Panel thickness 8mm

- 1 J Profile: 10'/3m Aluminum
- 2 Anchoring Piece
- 3 Gap Gauge Tool
- 4 Metal Screw for Anchoring Piece DIN 7504
- 5 SX3 15 - D12 - 5 TORX Screws for Metal - Painted
- 6 Centering Device for SX3 Screws



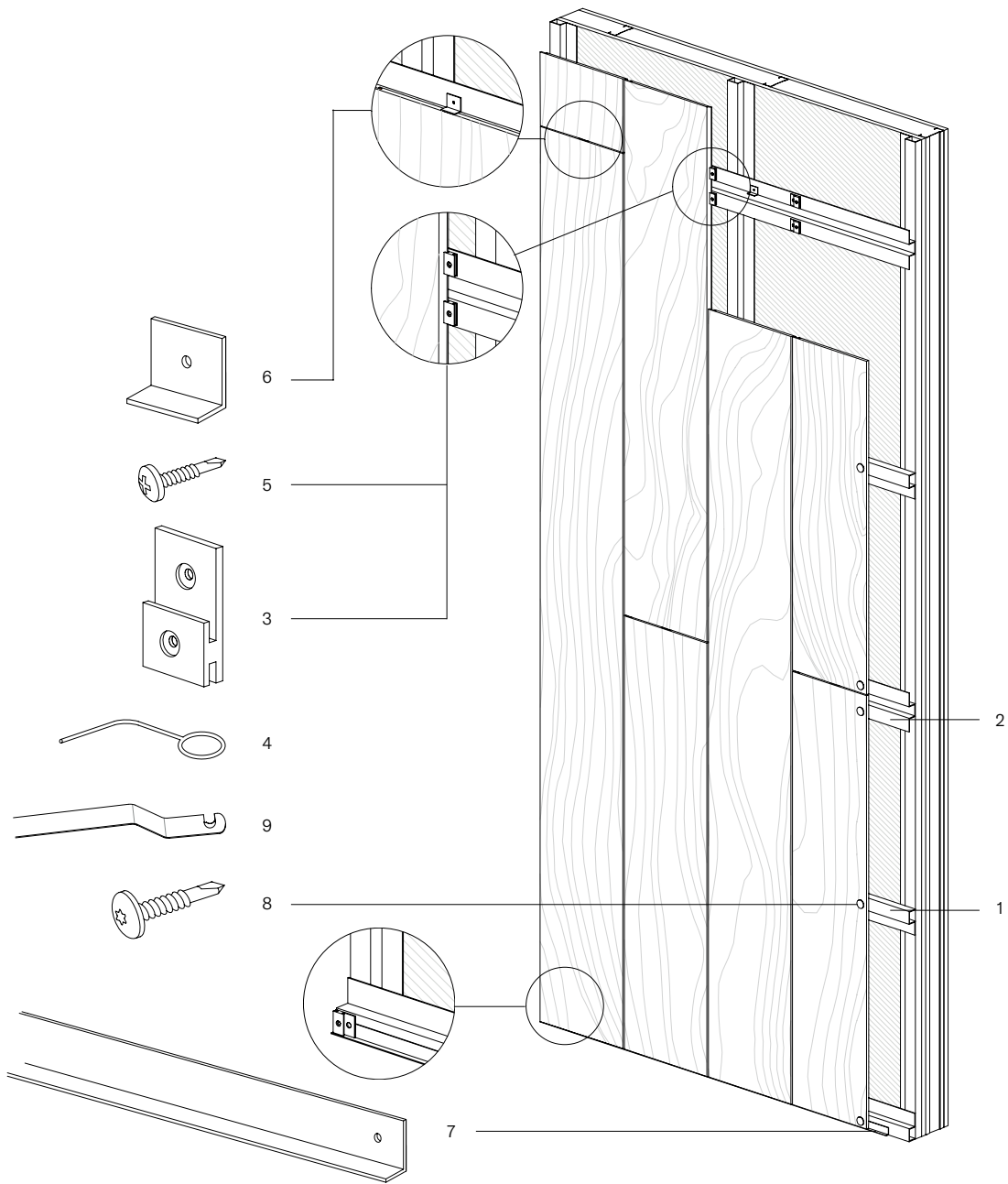
LAP SIDING  
 WOOD SUBFRAME  
 7,80"×96"/198×2440 mm  
 11,81"×96"/300×2440 mm  
 Panel thickness 8 mm

- 1 Anchoring Piece
- 2 Gap Gauge Tool
- 3 Wood Screw for Fixing Clip DIN 7505
- 4 TW - S D12 - 4 Screws for Wood - Painted



VERTICAL ONESIDING  
 5,35"×96"/137×2440 mm  
 7,40"×96"/188×2440 mm  
 11,42"×96"/290×2440 mm  
 Panel thickness 8 mm

- 1 Onesiding Clip
- 2 Gauge Tool
- 3 1"/25 mm Jay Shim
- 4 L 30×30 Black Stopper piece - Vertical Applications
- 5 SX3 15 - D12 - 5 TORX Screws for Metal - Painted
- 6 Centering Device for SX3 Screws



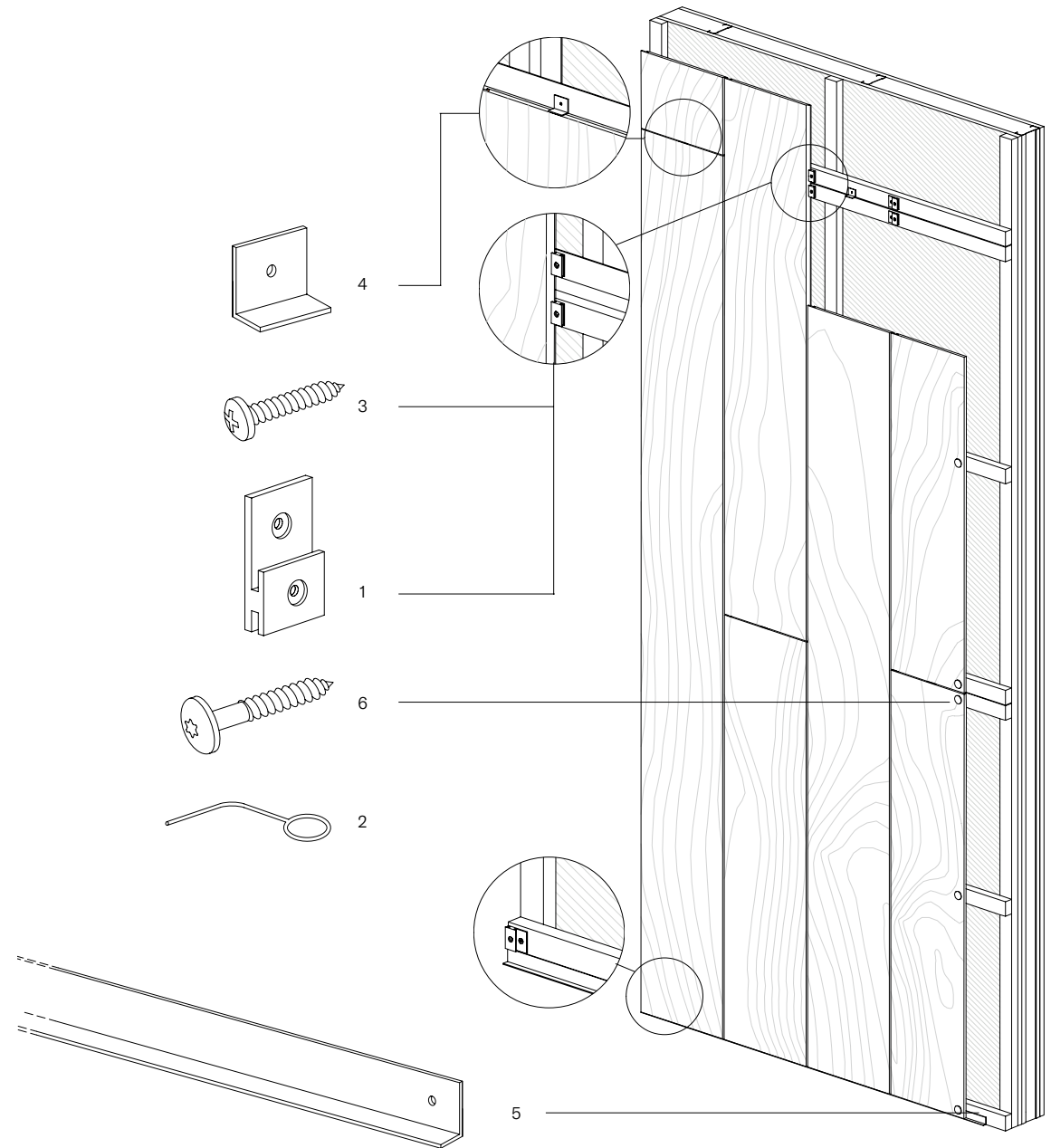
**VERTICAL SIDING**

**JAYS AND HATS**

5,35"×96"/137×2440mm  
 7,40"×96"/188×2440mm  
 11,42"×96"/290×2440mm  
 Panel thickness 8mm

- 1 J Profile: 10'/3m Aluminum
- 2 Hat Profile: 10'/3m Aluminum
- 3 Fixing Clip
- 4 Gap Gauge Tool
- 5 Metal Screw for Fixing Clip DIN 7504
- 6 L 20x10 Black Stopper - Vertical Applications

- 7 L Profile Stopper 3.25m - Vertical Applications
- 8 SX3 15 - D12 - 5 TORX Screws for Metal - Painted
- 9 Centering Device for SX3 Screws



**VERTICAL SIDING**

**WOOD SUBFRAME**

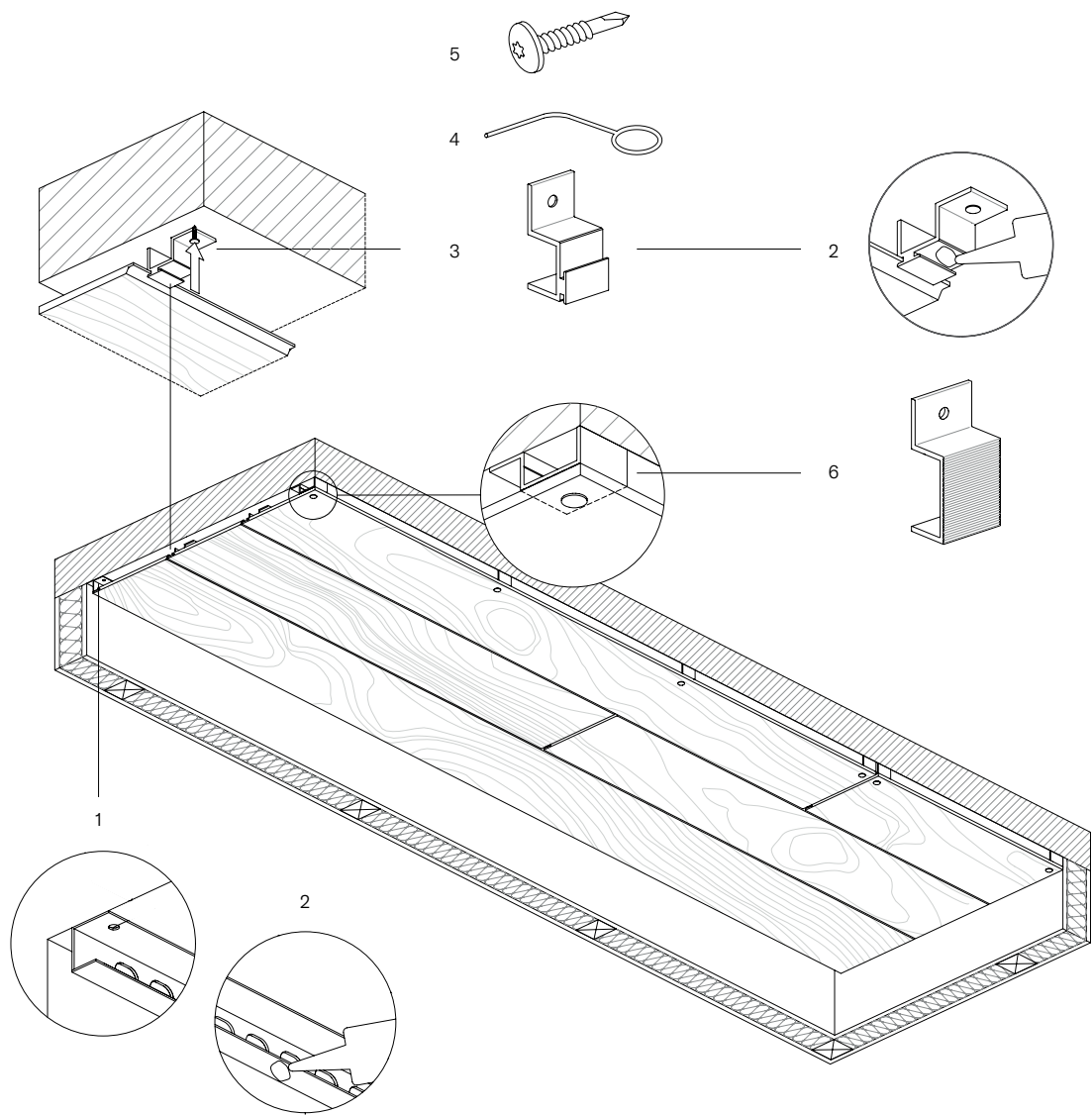
5,35"×96"/137×2440mm  
 7,40"×96"/188×2440mm  
 11,42"×96"/290×2440mm  
 Panel thickness 8mm

- 1 Fixing Clip
- 2 Gap Gauge Tool
- 3 Wood Screw for Fixing Clip DIN 7505
- 4 L 20x10 Black Stopper - Vertical Applications
- 5 L Profile Stopper 3.25m - Vertical Applications
- 6 TW - S D12 - 4 Screws for Wood - Painted



96"×48"  
2440×1220mm

We provide tailored installations of our soffit panels for covered horizontal features. The standard board of 96"×48"/2440×1220mm can be custom-cut according to the facade pattern defined by the design. Panel thicknesses available for soffit are 8 and 10mm. The substructure shown in the images is an example of a substructure valid for ventilated facades.



**SOFFIT INSTALLATION**

5,35"×96"/137×2440 mm  
 7,40"×96"/188×2440 mm  
 11,42"×96"/290×2440 mm  
 Panel thickness 8 mm

- 1 Starter rail
- 2 Adhesive
- 3 Onesiding clip
- 4 Gauge tool
- 5 SX3 15 - D12 - 5 TORX Screws
- 6 1"/25 mm Jay Shim



Editing and Production  
Parklex Prodema

Creative Direction  
Jaume Ramírez Studio

Graphic Design  
Julia Merino

Text  
Nerea de Lezana

Printed in Barcelona  
by Agpograf